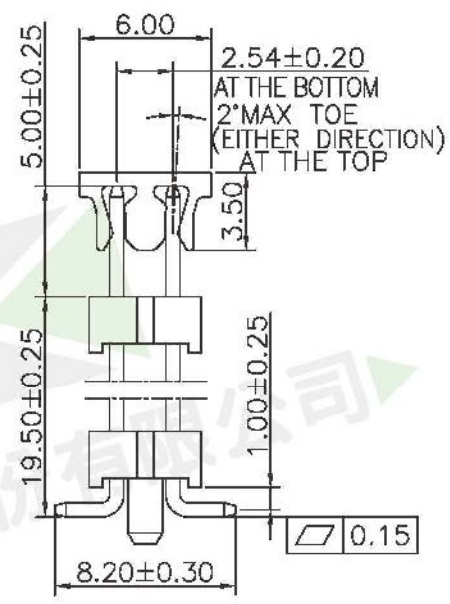
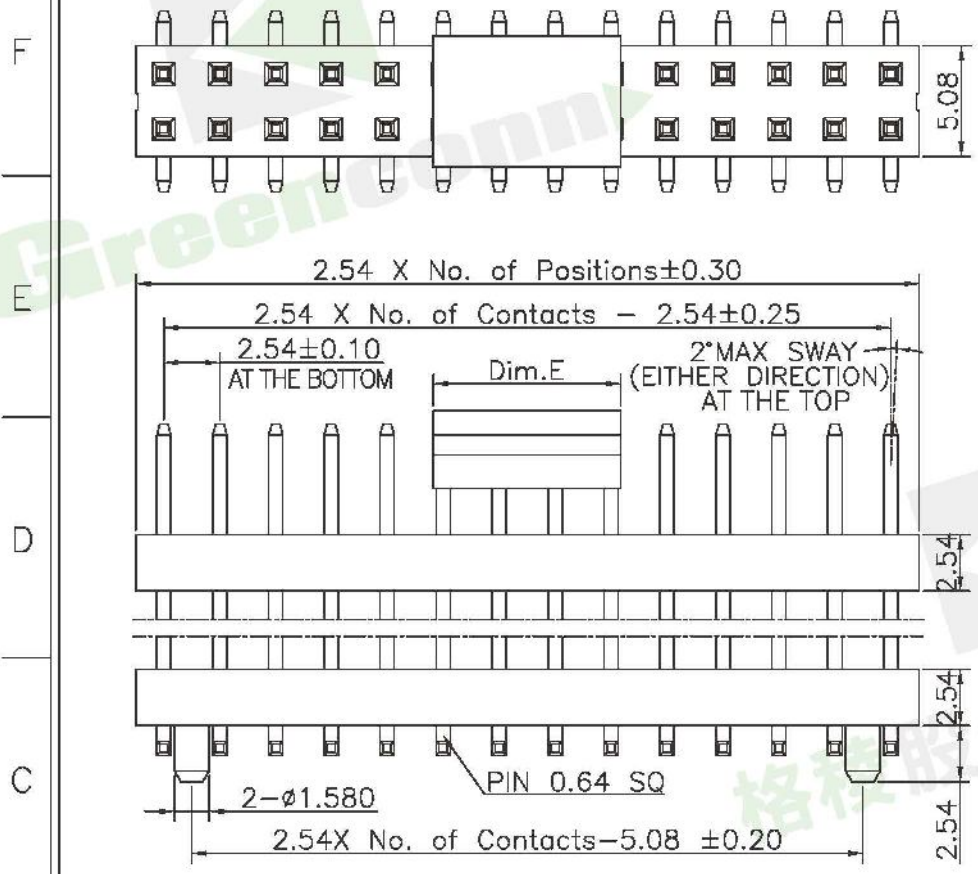
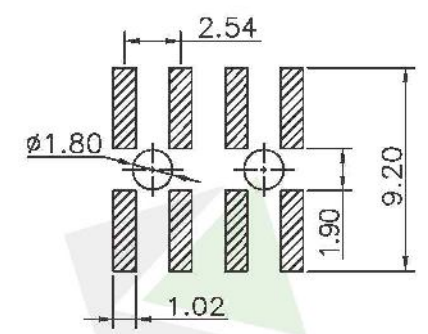


REV.	LOCAS.	DESCRIPTION	DATE	DRAWN
01	NEW	INITIAL RELEASE.	2013.07.31	李芳忠



Specifications
 Current Rating:3Amp
 Insulation Resistance:1000MΩMin.
 Dielectric Withstanding Voltage:600VAC
 Contact Resistance:20mΩMax.
 Operating Temperature:-40°C to +105°C
 Materials
 Contact Material:Phosphor Bronze
 Insulator Material:High Temperature Thermoplastic, UL 94V-0 LCP or the equivalent material
 All materials must meet Greenconn requirement for environment protection.

Recommended P.C.Board Layout
 (Tolerance:±0.05)



Ordering Information

G PHC202 - XX XX B 020 C 1 A X

No. of Pins per Row
03~40

Standard Plating
02=Gold Flash
Selective Plating
01=Tin
05=Gold Flash/Tin

Color
1=Black

Standard Packing
C=Tube
Selective Packing
A=Box
E=Cap+Tube
F=Cap+Tape&Reel

Dim.E	NOTE
6.00mm	03~08pins
8.50mm	09~40pins

格菱股份有限公司
Greenconn Corporation

GENERAL TOLERANCE	
X.*±5.0*	X.±0.30
.X*±3.0*	.X±0.25
.XX*±2.0*	.XX±0.15
.XXX*±1.0*	.XXX±0.10

DESIGN:	李芳忠	DATE:	2013.07.31
CHECKED:	劉北平	DATE:	2013.07.31
AUDITED:		DATE:	
APPROVED:		DATE:	

DWG. NO.	GPHC202-CB20CA
PART NO.	GPHC202-XXXX B020C1AX

TITLE.
 2.54 PIN HEADER
 DAUL ROWS SMT TYPE
 CONNECTOR

REV.	UNIT.	SCALE.	PAGE.
01	mm	3:1	1/1