

F

E

D

C

B

A

F

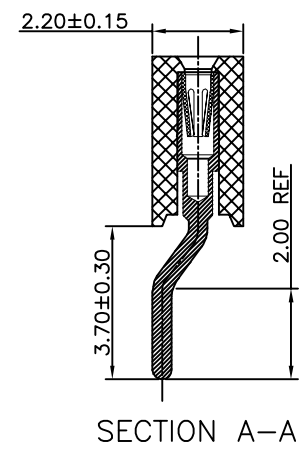
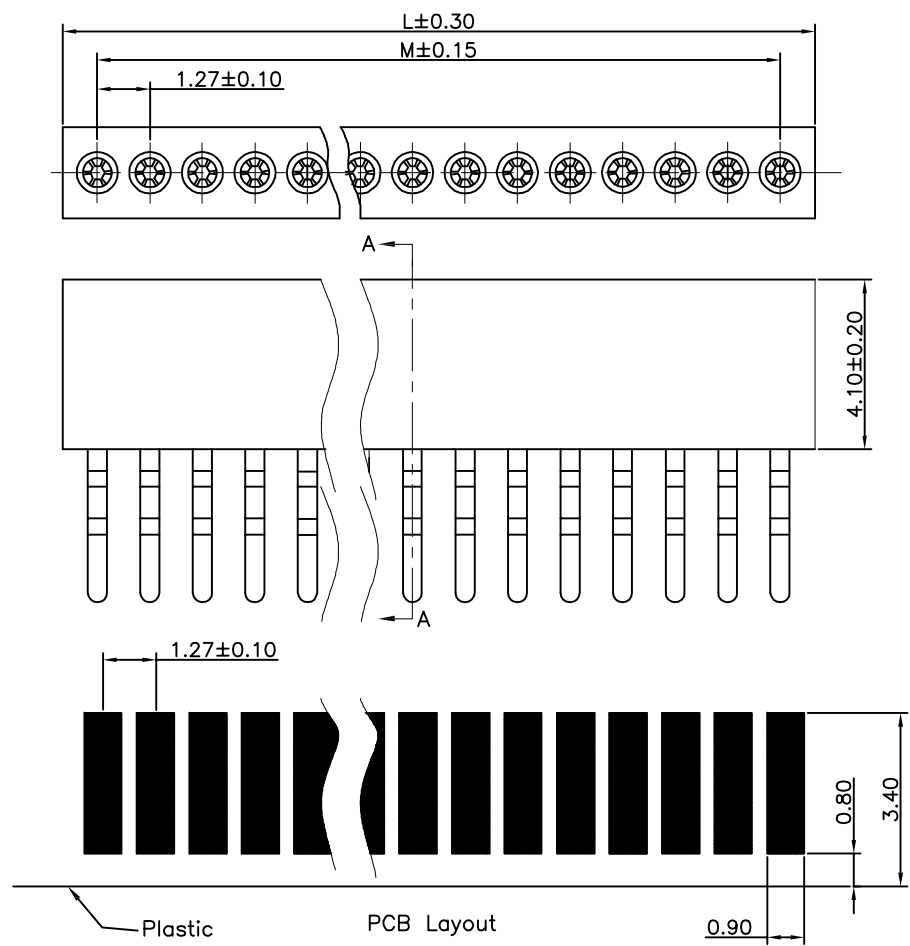
E

D

C

B

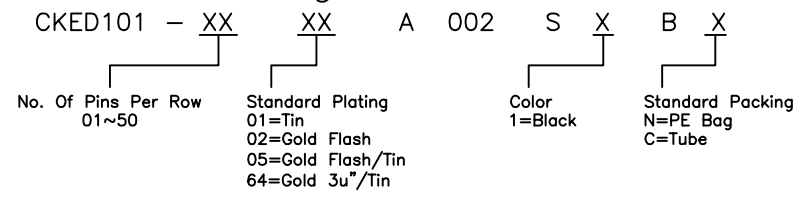
A



No. of PIN/ROW	M	L
01	0	1.68
02	1.27	2.95
03	2.54	4.22
04	3.81	5.49
05	5.08	6.76
06	6.35	8.03
07	7.62	9.30
08	8.89	10.57
09	10.16	11.84
10	11.43	13.11
11	12.70	14.38
12	13.97	15.65
13	15.24	16.92
14	16.51	18.19
15	17.78	19.46
16	19.05	20.73
17	20.32	22.00
18	21.59	23.27
19	22.86	24.54
20	24.13	25.81
21	25.40	27.08
22	26.67	28.35
23	27.94	29.62
24	29.21	30.89
25	30.48	32.16
26	31.75	33.43
27	33.02	34.70
28	34.29	35.97
29	35.56	37.24
30	36.83	38.51
31	38.10	39.78
32	39.37	41.05
33	40.64	42.32
34	41.91	43.59
35	43.18	44.86
36	44.45	46.13
37	45.72	47.40
38	46.99	48.67
39	48.26	49.94
40	49.53	51.21
41	50.80	52.48
42	52.07	53.75
43	53.34	55.02
44	54.61	56.29
45	55.88	57.56
46	57.15	58.83
47	58.42	60.10
48	59.69	61.37
49	60.96	62.64
50	62.23	63.91

**Specifications**  
 Current Rating:1A  
 Contact Resistance:10mΩMax.  
 Dielectric Withstanding Voltage:300V RMS  
 Mating pins: Outside Diameter 0.38 to 0.50 mm  
 Forces: (polished steel gauge 0.41 mm)  
 Insertion:0.5 N typ.  
 Withdrawal:0.2N typ.  
 Coplanarity SMD terminations: max 0.1 mm  
 (measured on 25 mm long connectors)  
**Materials**  
 Contact Material:Brass  
 Contact clip(6 finger):Berylliumcopper (C17200)  
 Insulator Material: UL 94V-0 PPS  
 All materials must meet GREENCONN  
 hazardous substances control standards.

**Ordering Information**



**Greenconn**  
 Website:www.greenconn.com  
 E-mail:sales@greenconn.com

REV. A	UNIT. mm	SCALE. 1:1
--------	----------	------------

3RD.ANG PROJ.  
  
 PAGE. 1/1

GENERAL TOLERANCE	
X.*±5.0'	X.±0.38
.X*±3.0'	.X±0.30
.XX*±2.0'	.XX±0.25
.XXX*±1.0'	.XXX±0.20

DESIGNED: \_\_\_\_\_ DATE: \_\_\_\_\_  
 CHECKED: \_\_\_\_\_ DATE: \_\_\_\_\_  
 APPROVED: \_\_\_\_\_ DATE: \_\_\_\_\_

DWG. NO. CKED101-CA002SB  
 PART NO. CKED101-XXXXA002SXB

TITLE. 1.27mm SH Socket L7.70 Single Row H4.10mm type