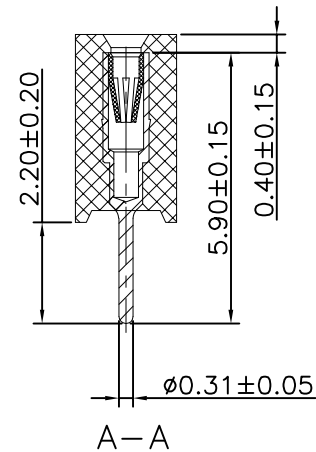
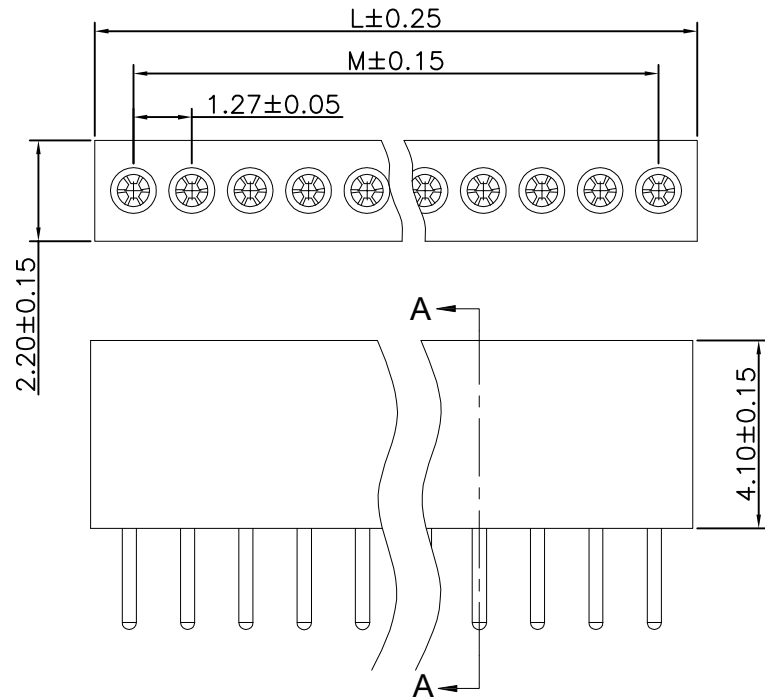


Specifications
 Rated current: 1 A
 Contact resistance: max 10 mΩ
 Dielectric strength: min 300 V RMS
 Mating pins: Outside Diameter 0.38 to 0.50 mm

Forces: (polished steel gauge)
 Outside Diameter 0.46 mm
 Insertion: 0.5 N typ
 Withdrawal: 0.2 N typ

Materials
 Contact Material: Brass
 Insulation Material: High Temperature Thermoplastic UL94V-0 PPS
 All materials must meet GREENCONN hazardous substances control standards.



No. of PIN/ROW	M	L
01	0	1.68
02	1.27	2.95
03	2.54	4.22
04	3.81	5.49
05	5.08	6.76
06	6.35	8.03
07	7.62	9.30
08	8.89	10.57
09	10.16	11.84
10	11.43	13.11
11	12.70	14.38
12	13.97	15.65
13	15.24	16.92
14	16.51	18.19
15	17.78	19.46
16	19.05	20.73
17	20.32	22.00
18	21.59	23.27
19	22.86	24.54
20	24.13	25.81
21	25.40	27.08
22	26.67	28.35
23	27.94	29.62
24	29.21	30.89
25	30.48	32.16
26	31.75	33.43
27	33.02	34.70
28	34.29	35.97
29	35.56	37.24
30	36.83	38.51
31	38.10	39.78
32	39.37	41.05
33	40.64	42.32
34	41.91	43.59
35	43.18	44.86
36	44.45	46.13
37	45.72	47.40
38	46.99	48.67
39	48.26	49.94
40	49.53	51.21

Ordering Information

C KEA101 - XX XX A 002 S X B X

No. of Pins per Row 01~40
 Standard Plating 01=Tin 05=Gold Flash/Tin
 Color 1=Black
 Standard Packing C=Tube N=PE bag

 Website: www.greenconn.com E-mail: sales@greenconn.com	3RD. ANG PROJ. PAGE. 1/1	GENERAL TOLERANCE X.*±3.0' X.±/ .X*±/ .X±0.30 .XX*±/ .XX±0.25 .XXX*±/ .XXX±0.20		DESIGNED:	DATE:	DWG. NO. CKEA101-CA002SB	TITLE. 1.27mm SIP Socket L5.90 H3.80/4.10mm DIP Type
		CHECKED:	DATE:	APPROVED:	DATE:		