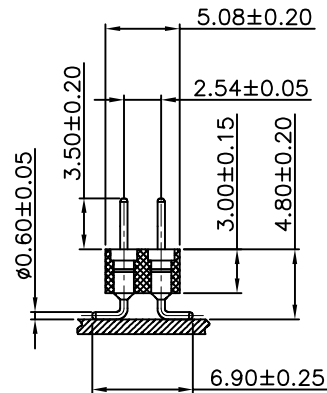
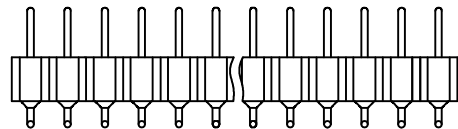


Technical Specs:
 Insulator: Black glass filled polyester PPS-GF30-FR
 Flammability: UL 94V-0
 Contact: Brass CuZn36Pb3(C36000)
 Rated current: 3A
 Contact resistance: max 10mΩ
 Dielectric strength: min 1000 V RMS
 Coplanarity SMD terminations: max 0.1 mm
 (measured on 25 mm long connectors)
 All materials must meet GREENCONN
 hazardous substances control standards.



No. of PIN/ROW	M	L
01	0	2.34
02	2.54	4.88
03	5.08	7.42
04	7.62	9.96
05	10.16	12.50
06	12.70	15.04
07	15.24	17.58
08	17.78	20.12
09	20.32	22.66
10	22.86	25.20
11	25.40	27.74
12	27.94	30.28
13	30.48	32.82
14	33.02	35.36
15	35.56	37.90
16	38.10	40.44
17	40.64	42.98
18	43.18	45.52
19	45.72	48.06
20	48.26	50.60
21	50.80	53.14
22	53.34	55.68
23	55.88	58.22
24	58.42	60.76
25	60.96	63.30
26	63.50	65.84
27	66.04	68.38
28	68.58	70.92
29	71.12	73.46
30	73.66	76.00
31	76.20	78.54
32	78.74	81.08
33	81.28	83.62
34	83.82	86.16
35	86.36	88.70
36	88.90	91.24
37	91.44	93.78
38	93.98	96.32
39	96.52	98.86
40	99.06	101.6

Ordering Information

G KHC202 - XX XX A 001 S X B X

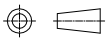
No. of Pins per Row 01~40
 Standard Plating 01=TIN, 02=Gold Flash, B1=Gold 3U"
 Color 1=Black
 Standard Packing D=Tape&Reel



Website: www.greenconn.com
 E-mail: sales@greenconn.com

REV. A UNIT. mm SCALE. 1:1 PAGE. 1/1

3RD. ANG PROJ.



GENERAL TOLERANCE

X.*±3.0'	X.±/
.X*±3.0'	.X±0.30
.XX*±3.0'	.XX±0.25
.XXX*±3.0'	.XXX±0.20

DESIGNED:

DATE:

CHECKED:

DATE:

APPROVED:

DATE:

DWG. NO.

GKHC202-CA001SB

PART NO.

GKHC202-XXXX A001SXBX

TITLE.

2.54mm PIN Connectors
 H=3.00mm SMT