

1 2 3 4 5 6 7 8 9

F

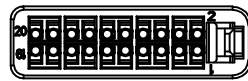
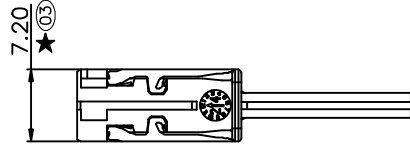
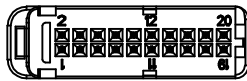
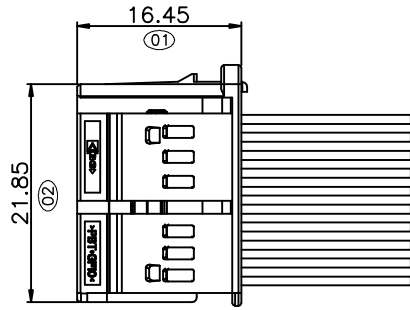
E

D

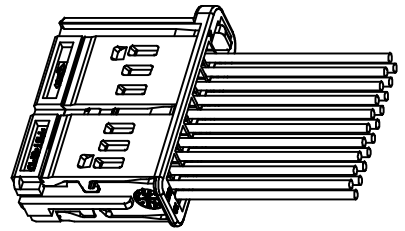
C

B

A



Specifications
 Current Rating 26 AWG: 2.0Amp AC/DC
 Voltage Rating: 300V AC/DC.
 Insulation Resistance:1000MΩ Min.
 Dielectric Withstanding Voltage:500V AC
 Contact Resistance:30mΩ Max.
 Operating Temperature:-40°C to +105°C
Materials
 Insulator Material:Thermoplastic,
 UL 94-HB PBT or the equivalent material
 ★All materials must meet Greenconn hazardous
 substances control standards.
 ★★: Significant Characteristics.
 indicates product characteristics, functionalities,
 and manufacturing processes regarding to
 customer's specifications
 ★★: Safety Features
 indicates product characteristics, functionalities,
 and manufacturing processes complying to legal
 regulations stated by local government



Ordering Information

L KZV2 10 - P4 XXXX A 26
 No. of Pins per Row 10=10pin
 Standard Plating P4=Nickel 50~100u" Tin 32~88u"
 Wire Length 0120=120MM
 Form A=Serial Code
 Wire Specifications 26=26AWG

<p>Website:www.greenconn.com E-mail:sales@greenconn.com</p>			3RD.ANG PROJ.	GENERAL TOLERANCE X.±3.0' X.±0.30 .X'±2.0' .X±0.25 .XX'±1.0' .XX±0.20 .XXX'±0.5' .XXX±0.15		DESIGNED: CHECKED: APPROVED:	DATE: DATE: DATE:	DWG. NO. LKZV210-CP40120A26 PART NO. LKZV210-P40120A26	TITLE. 1.80mm pitch Cable-to-Board CONNECTOR
REV. A	UNIT. mm	SCALE. 3:2	PAGE. 1/1						

1 2 3 4 5 6 7 8 9