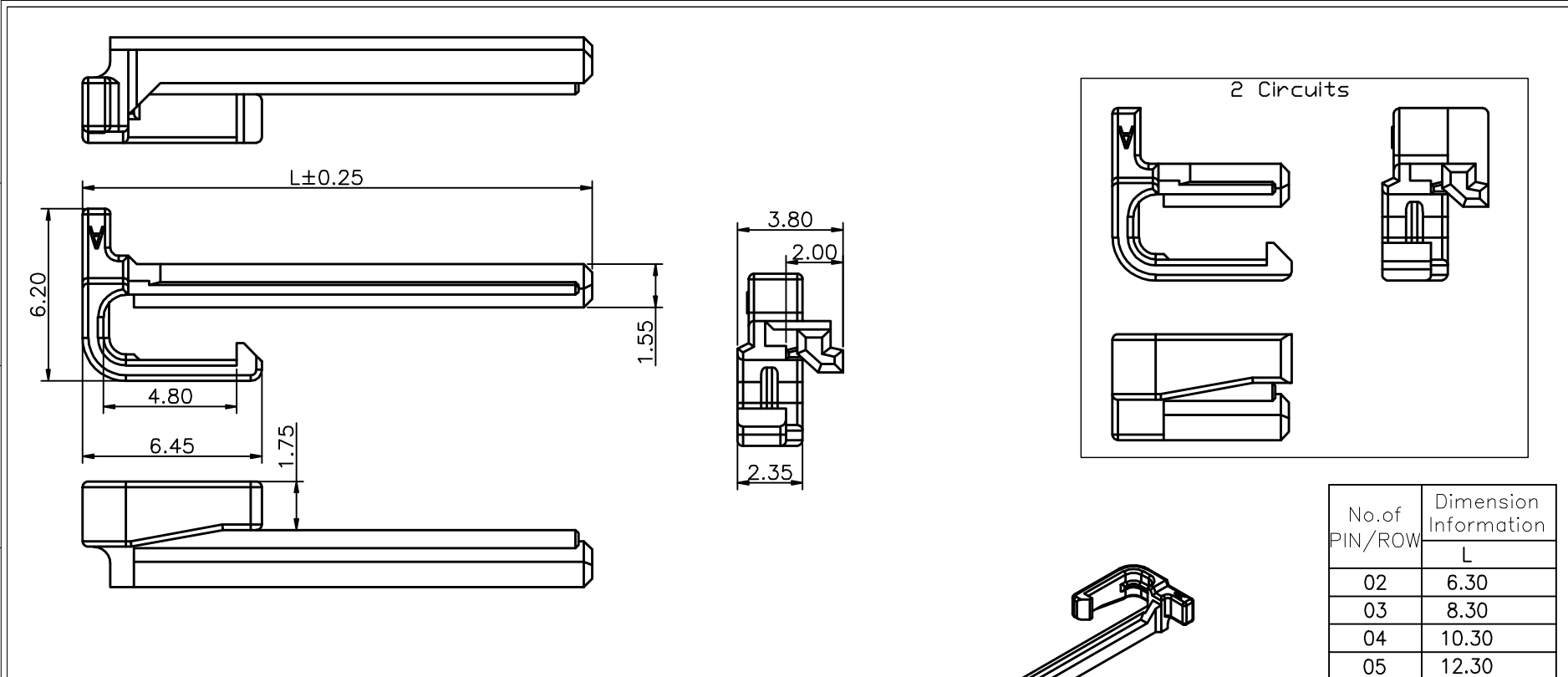


1 2 3 4 5 6 7 8 9


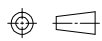
F
E
D
C
B
A



Ordering Information
 HWF18- AFA001- 1XXX -D1A6-N-DN

No. of Pins per Row
 02~15

No. of PIN/ROW	Dimension Information
	L
02	6.30
03	8.30
04	10.30
05	12.30
06	14.30
07	16.30
08	18.30
09	20.30
10	22.30
11	24.30
12	26.30
13	28.30
14	30.30
15	32.30

 Website: www.greenconn.com E-mail: sales@greenconn.com	3RD.ANG PROJ. 	GENERAL TOLERANCE X: ±5.0' X: ±0.30 .X' ±3.0' .X ±0.25 .XX' ±2.0' .XX ±0.15 .XXX' ±1.0' .XXX ±0.10		DESIGNED: DATE:	DATE:	DWG. NO. HWF18-AFA001-1-D1 PART NO. HWF18-AFA001-1XXX-D1A6-N-DN	TITLE. 2.0mm MidClik Female Connector Retainer
		REV. A UNIT. mm SCALE. 5:1	PAGE. 1/1	CHECKED: DATE:	DATE:		

1 2 3 4 5 6 7 8 9