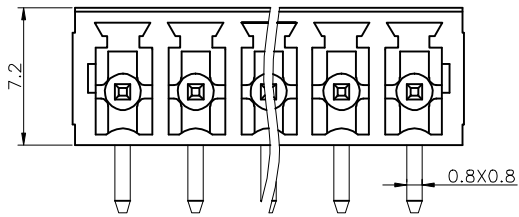
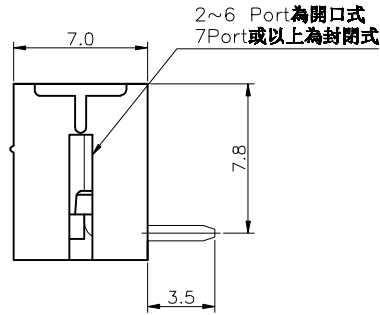
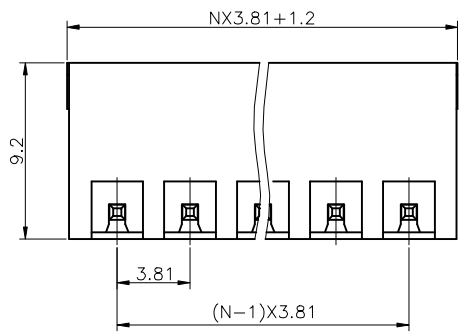
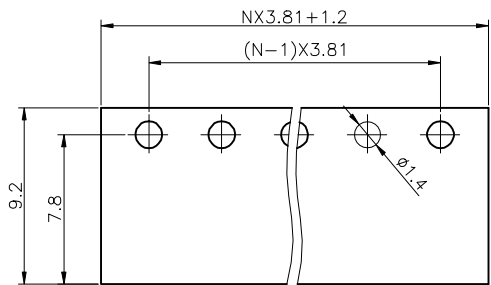


1 2 3 4 5 6 7 8 9

F  
E  
D  
C  
B  
A



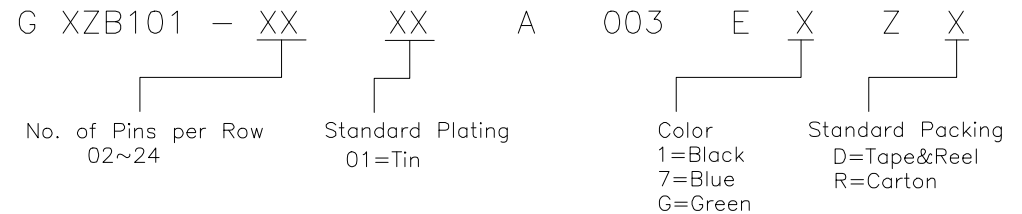
N=Number of contacts



PCB LAYOUT(±0.05)

**Specifications**  
 Voltage rating:300VAC  
 Current rating:12 Amps/way max  
 Contact resistance: 20mΩ(max)  
 Insulation resistance: 5000MΩ/1000V  
 Withstanding Voltage: 2500VAC(1min)  
 Test time:60sec/1pcs  
 wire range: /  
**Mechanical:**  
 Torque:/  
 Operating temperature:-40°C to+105°C  
**Materials**  
 Contact Material:Brass  
 Insulator Material: UL 94V-0 PA66  
 All materials must meet GREENCONN hazardous substances control standards.

### Ordering Information



Website:www.greenconn.com  
 E-mail:sales@greenconn.com

REV. A    UNIT. mm    SCALE. 1:1

3RD.ANG PROJ.  
  
 PAGE. 1/1

GENERAL TOLERANCE	
X.±5.0'	X.±0.50
.X'±3.0'	.X±0.30
.XX'±2.0'	.XX±0.20
.XXX'±1.0'	.XXX±/

DESIGNED:	DATE:
CHECKED:	DATE:
APPROVED:	DATE:

DWG. NO. GXZB101-CA3EZ
PART NO. GXZB101-XXXXA003EXZX

TITLE.  
pitch 3.81mm Right Angle - series

1 2 3 4 5 6 7 8 9