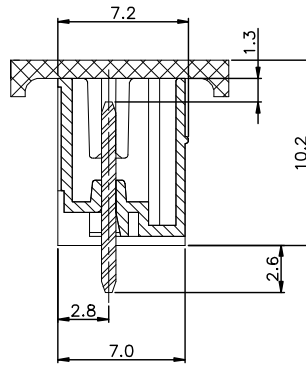
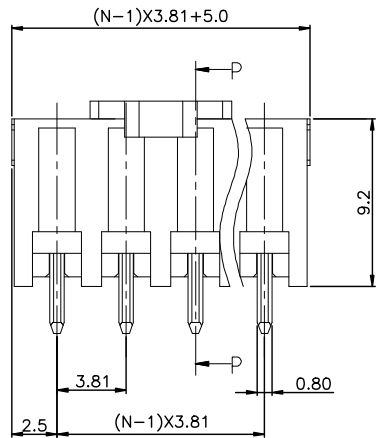


N=Number of contacts

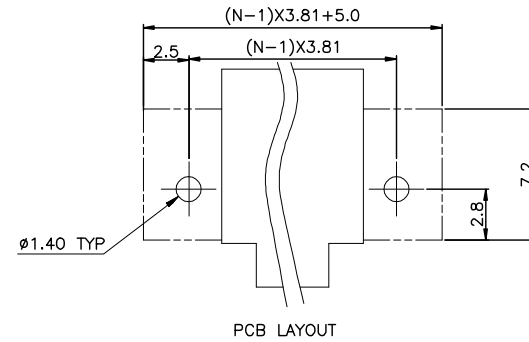
Cover	
Poles	Dim C
2P	7.81
3P	11.62

Poles	Tolerance
2P-6P	±0.15
7P-12P	±0.20
13P-16P	±0.30

Specifications
 Voltage rating:300VAC
 Current rating:10 Amps/way max
 Contact resistance: 20mΩ(max)
 Insulation resistance: 5000MΩ/1000V
 Withstanding Voltage: 1.6KV
 wire range: /
 Mechanical:
 Torque:/
 Operating temperature:-40°C to+105°C
 Materials
 Contact Material:Brass
 Insulator Material: UL 94V-0 LCP
 All materials must meet GREENCONN
 hazardous substances control standards.

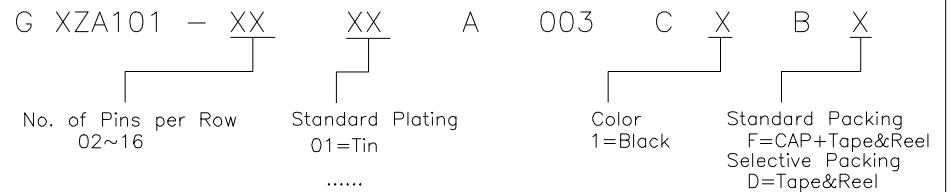


SECTION P-P



PCB LAYOUT

Ordering Information



Website:www.greenconn.com
 E-mail:sales@greenconn.com

REV. A	UNIT. mm	SCALE. 1:1	3RD.ANG PROJ.	PAGE. 1/1
--------	----------	------------	---------------	-----------

GENERAL TOLERANCE	
X.±5.0'	X.±0.50
.X'±3.0'	.X±0.35
.XX'±2.0'	.XX±0.15
.XXX'±1.0'	.XXX±/

DESIGNED:	DATE:
CHECKED:	DATE:
APPROVED:	DATE:

DWG. NO.	GXZA101-CA003
PART NO.	GXZA101-XXXXA003CXBX

TITLE.	3.81mm Vertical Series
--------	------------------------