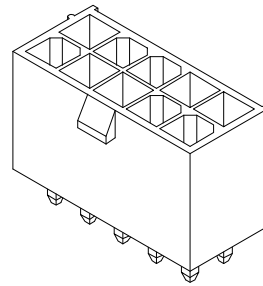
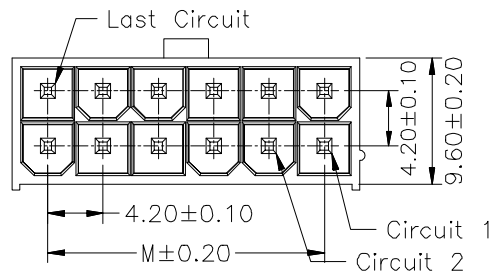


1 2 3 4 5 6 7 8 9

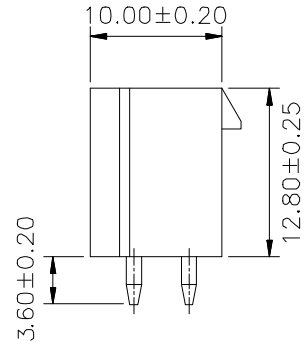
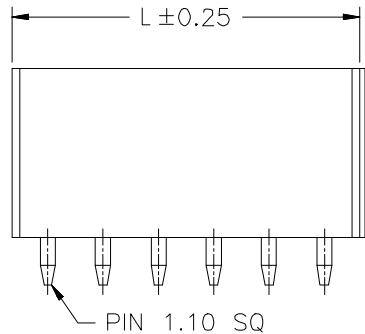
F



NOTES:  
 CURRENT RATING:9A AC/DC.  
 VOLTAGE RATING:600V AC/DC  
 TEMPERATURE RANGE:-40°C~+105°C.  
 CONTACT RESISTANCE:10MΩ Max.  
 INSULATION RESISTANCE:1000MΩ Min.  
 WITHSTANDING VOLTAGE: 1500V AC/MINUTE.  
 WATRLAL:PA66.UL94V-2.

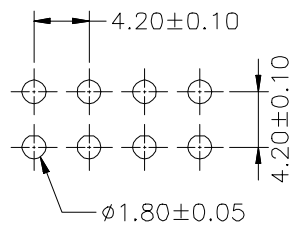
E

D



C

B



P.C.B LAYOUT

Ordering Information

G WRA208-XX XX A 001 E X Z X

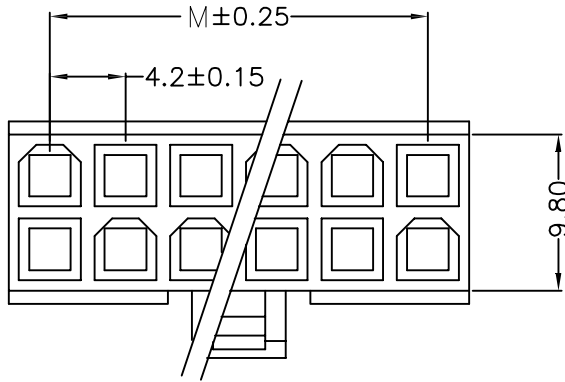
No. of Pins per Row 01~12      Standard Plating 01=Tin, 02=Gold Flash, 22=Matte Tin, ...  
 Color F=Transparent, ...  
 Standard Packing N=PE Bag, Selective Packing B=Tray, ...

No. of pin/row	Dimensions	
	M	L
01P	---	5.40
02P	4.20	9.60
03P	8.40	13.80
04P	12.60	18.00
05P	16.80	22.20
06P	21.00	26.40
07P	25.20	30.60
08P	29.40	34.80
09P	33.60	39.00
10P	37.80	43.20
11P	42.00	47.40
12P	46.20	51.60

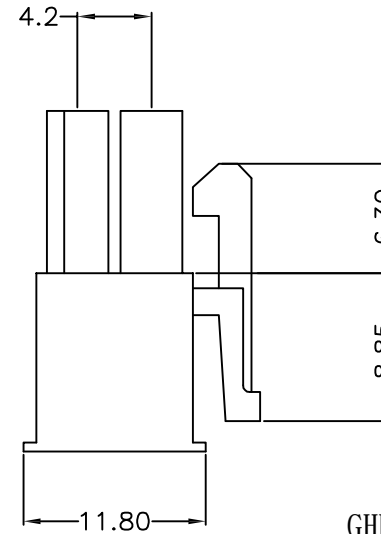
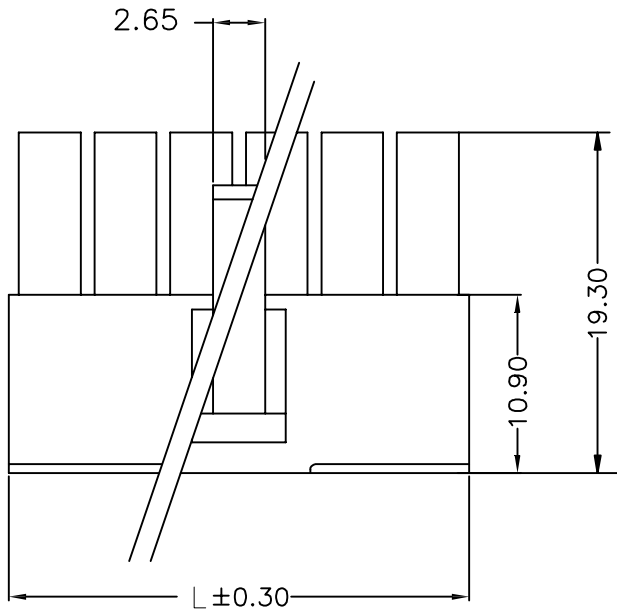
A

<p>Website:www.greenconn.com E-mail:sales@greenconn.com</p>	3RD.ANG PROJ. 	GENERAL TOLERANCE		DESIGNED:	DATE:	DWG. NO. GWRA208-CA1EZ	TITLE. 4.2mm pitch 180' wafer	
		X'±3.0'	X.±/					X'±2.0'
REV. A	UNIT. mm	SCALE. 1:1	PAGE. 1/1	.XX'±1.5'	.XX±0.20	APPROVED:	DATE:	PART NO. GWRA208-XXXXA001EXZX
				.XXX'±1.0'	.XXX±0.15			

1 2 3 4 5 6 7 8 9



NOTES:  
 CURRENT RATING:9A AC/DC.  
 VOLTAGE RATING:600V AC/DC  
 TEMPERATURE RANGE:-40°C~+105°C.  
 CONTACT RESISTANCE:10MΩ Max.  
 INSULATION RESISTANCE:1000MΩ Min.  
 WITHSTANDING VOLTAGE: 1500V AC/MINUTE.  
 MATERIAL: Nylon66 UL94V-2.



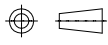
No of Pin/Row	Dimensions	
	M	L
01	/	5.50
02	4.20	9.70
03	8.40	13.90
04	12.60	18.10
05	16.80	22.30
06	21.00	26.50
07	25.20	30.70
08	29.40	34.90
09	33.60	39.10
10	37.80	43.30
11	42.00	47.50
12	46.20	51.70

GHR232 - XX A XX  
 No. of Pin/Row 01 ~ 12  
 Material/Color NF=Nylon66/Transparent



Website:www.greenconn.com  
 E-mail:sales@greenconn.com

3RD.ANG PROJ.



PAGE. 1/1

GENERAL TOLERANCE

X.倅 /	X.?
.X倅 /	.X?.30
.XX倅 /	.XX?.25
.XXX倅 /	.XXX?. 15

DESIGNED:

DATE:

CHECKED:

DATE:

APPROVED:

DATE:

DWG. NO.

GHR232-HA

PART NO.

GHR232-XXAXX

TITLE.

4.2mm pitch housing

REV. A UNIT. mm SCALE. 1:1

1 2 3 4 5 6 7 8 9

F

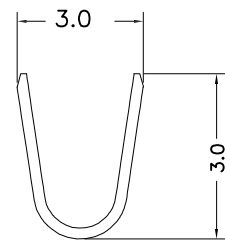
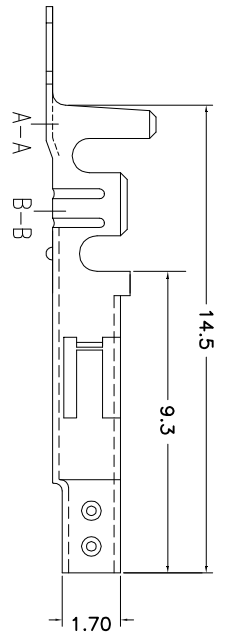
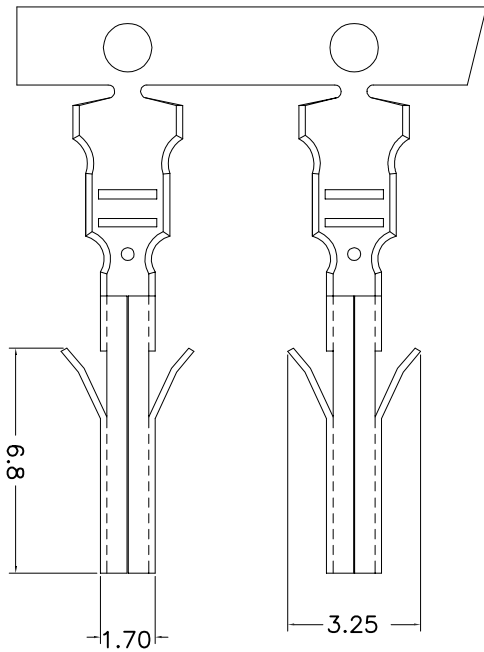
E

D

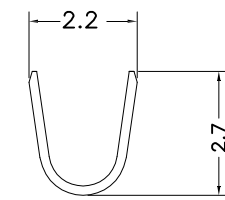
C

B

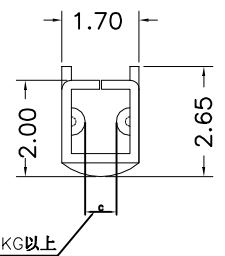
A



A-A



B-B



单PIN拉力0.15KG以上

Specifications:  
 1.Material:BRASS  
 2.Wire Range:AWG#18-20  
 3.Insulation O.D.:3.1mm(Max)  
 Mating With:  
 Housing:GHR232

### Ordering Information

GRR104 - 01 XX BE  
 Standard Plating 01=Tin      Materials BE=BRASS

**Greenconn**  
 Website:www.greenconn.com  
 E-mail:sales@greenconn.com

3RD.ANG PROJ.  
  
 PAGE. 1/1

GENERAL TOLERANCE	
X.停 /	X.?
.X停 /	.X?.30
.XX停 /	.XX?.25
.XXX停 /	.XXX?. 15

DESIGNED:      DATE:  
 CHECKED:      DATE:  
 APPROVED:      DATE:

DWG. NO. GRR104-T1  
 PART NO. GRR104-01 XX BE

TITLE. 4.2mm pitch terminal

9B

1 2 3 4 5 6 7 8 9