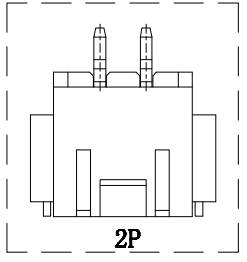
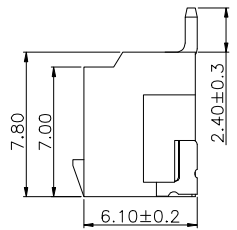
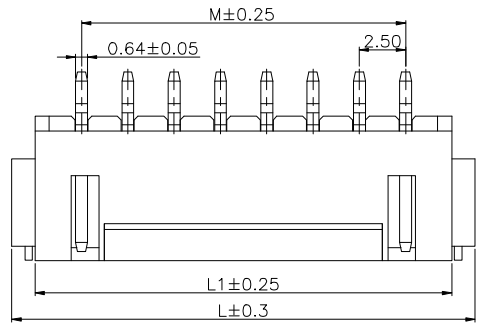


1 2 3 4 5 6 7 8 9

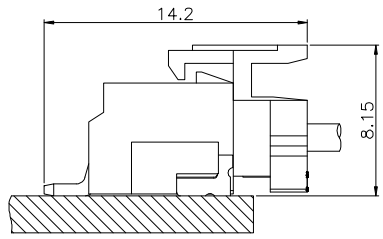
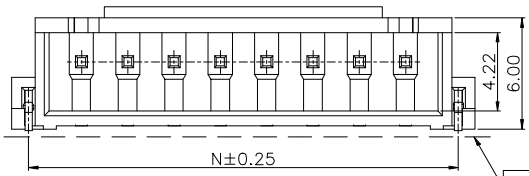
F



Specifications  
 Current Rating:3.0A AC DC  
 Voltage Rating: 250V AC DC  
 Insulation Resistance:1000MΩ Min.  
 Dielectric Withstanding Voltage:1000V AC/minute  
 Contact Resistance:20mΩ Max.  
 Operating Temperature:-25°C to +105°C  
 Materials  
 Contact Material: Brass  
 Insulator Material:LCP,UL 94V-0  
 Solder Tabs: Brass  
 All materials must meet Greenconn hazardous substances control standards.

E

D

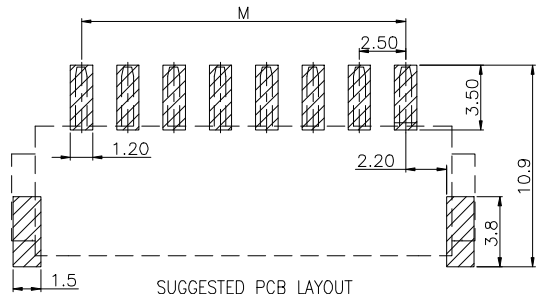


Assembly Layout

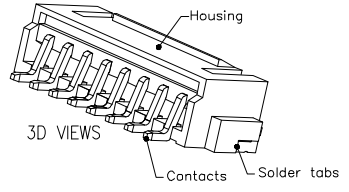
D	02P~11P	0.10	MAX
	12P~16P	0.12	MAX

Pins	Dimensions (mm)			
	M	L1	L	N
02	2.50	7.50	10.00	8.20
03	5.00	10.00	12.50	10.70
04	7.50	12.50	15.00	13.20
05	10.00	15.00	17.50	15.70
06	12.50	17.50	20.00	18.20
07	15.00	20.00	22.50	20.70
08	17.50	22.50	25.00	23.20
09	20.00	25.00	27.50	25.70
10	22.50	27.50	30.00	28.20
11	25.00	30.00	32.50	30.70
12	27.50	32.50	35.00	33.20
13	30.00	35.00	37.50	35.70
14	32.50	37.50	40.00	38.20
15	35.00	40.00	42.50	40.70
16	37.50	42.50	45.00	43.20

C



SUGGESTED PCB LAYOUT



3D VIEWS

### Ordering Information

GWGD106 - XX XX A 001 C X B X  
 No. Of Pins Per Row 02~16      Standard Plating 01= Tin      Color 2=White      Standard Packing D=Tape&Reel

B

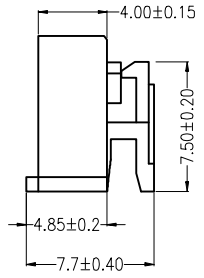
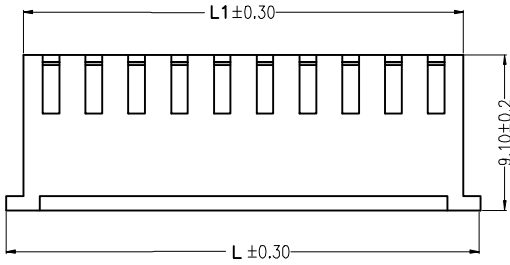
A

 Website:www.greenconn.com E-mail:sales@greenconn.com	3RD.ANG PROJ.	GENERAL TOLERANCE		DESIGNED:	DATE:	DWG. NO. GWGD106-CA001CB	TITLE. 2.00mm PITCH 90° SMT WAFER				
	 REV. A    UNIT. mm    SCALE. 1:1	 PAGE. 1/1	X.±0.5°					X.±0.50	CHECKED:	DATE:	PART NO. GWGD106-XXXXA001CXBX
			.X'±2°					.X±0.30	APPROVED:	DATE:	

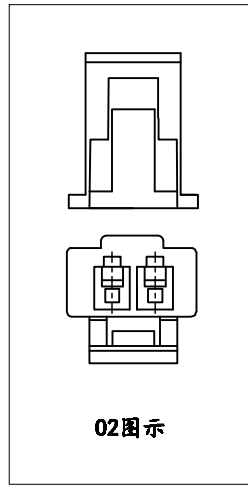
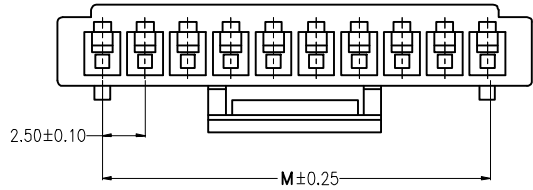
AQ 1 2 3 4 5 6 7 8 9

1 2 3 4 5 6 7 8 9

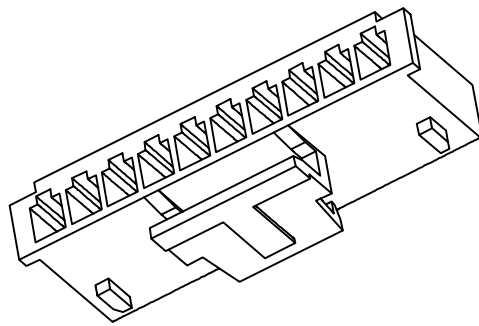
F  
E  
D  
C  
B  
A



Specifications  
 Current Rating:3Amp  
 Voltage Rating:250V AC DC  
 Insulation Resistance:1000MΩMin.  
 Dielectric Withstanding Voltage:1000VAC  
 Contact Resistance:20mΩMax.  
 Operating Temperature:-25°C to +85°C  
 Materials  
 Insulator Material: UL 94V-0 PA66  
 All materials must meet GREENCONN hazardous substances control standards.  
 Mating with: GRG126-T2



No. of Pins/Row	Dimension Information		
	M	L1	L
02	2.50	5.75	7.50
03	5.00	8.25	10.00
04	7.50	10.75	12.50
05	10.00	13.25	15.00
06	12.50	15.75	17.50
07	15.00	18.25	20.00
08	17.50	20.75	22.50
09	20.00	23.25	25.00
10	22.50	25.75	27.50
11	25.00	28.25	30.00
12	27.50	30.75	32.50
13	30.00	33.25	35.00
14	32.50	35.75	37.50
15	35.00	38.25	40.00
16	37.50	40.75	42.50
17	40.00	43.25	45.00



Ordering Information

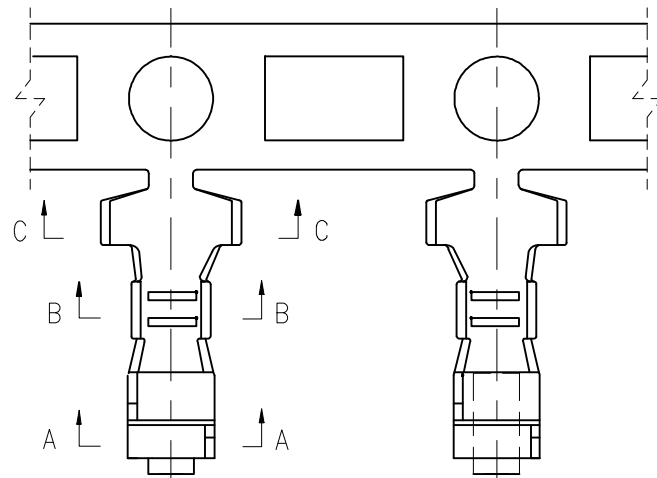
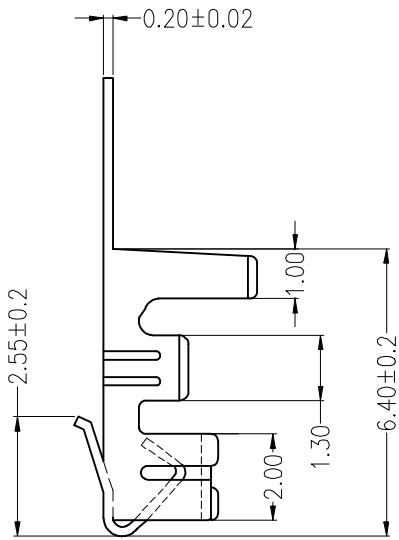
GWG201 - XX A XX  
 No. of Pins/Row 02~17      Material/Color P1=NY66/White

 Website: www.greenconn.com E-mail: sales@greenconn.com	3RD.ANG PROJ. 	GENERAL TOLERANCE		DESIGNED:	DATE:	DWG. NO. GWG201-HA	TITLE. 2.5mm pitch Housing
		X: ±5.0'	X: ±0.50				
REV. B	UNIT. mm	SCALE. 1:1	PAGE. 1/1	.X' ±3.0'	.X ±0.30	APPROVED:	DATE:
				.XX' ±2.0'	.XX ±0.25		
				.XXX' ±1.0'	.XXX ±0.10		

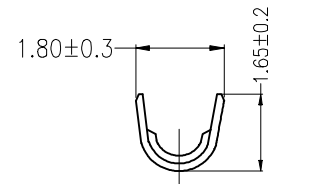
AQ 1 2 3 4 5 6 7 8 9

1 2 3 4 5 6 7 8 9

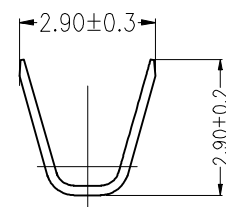
F  
E  
D  
C  
B  
A



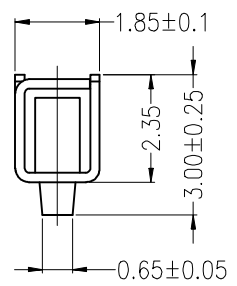
Specification:  
 Contact Material: Phosphor bronze  
 Wire range: AWG#22~#28  
 Insulation O.D: 1.90mm(max)  
 All materials must meet GREENCONN hazardous substances control standards  
 Mating with: GWG201-HA



B-B



C-C



A-A

### Ordering Information

GRG126 -02 XX AB  
 Standard Plating 01=Tin  
 Materials AB=Phosphor bronze

**Greenconn**  
 Website: www.greenconn.com  
 E-mail: sales@greenconn.com

REV. B	UNIT. mm	SCALE. 1:1
--------	----------	------------

3RD.ANG PROJ.  
  
 PAGE. 1/1

GENERAL TOLERANCE	
X.'±3.0'	X.±0.50
.X'±2.0'	.X±0.30
.XX'±1.0'	.XX±0.25
.XXX'±0.5'	.XXX±/

DESIGNED:	DATE:
CHECKED:	DATE:
APPROVED:	DATE:

DWG. NO. GRG126-T2  
 PART NO. GRG126-02XXAB

TITLE. 2.50 端子

1 2 3 4 5 6 7 8 9