

1 2 3 4 5 6 7 8 9

F

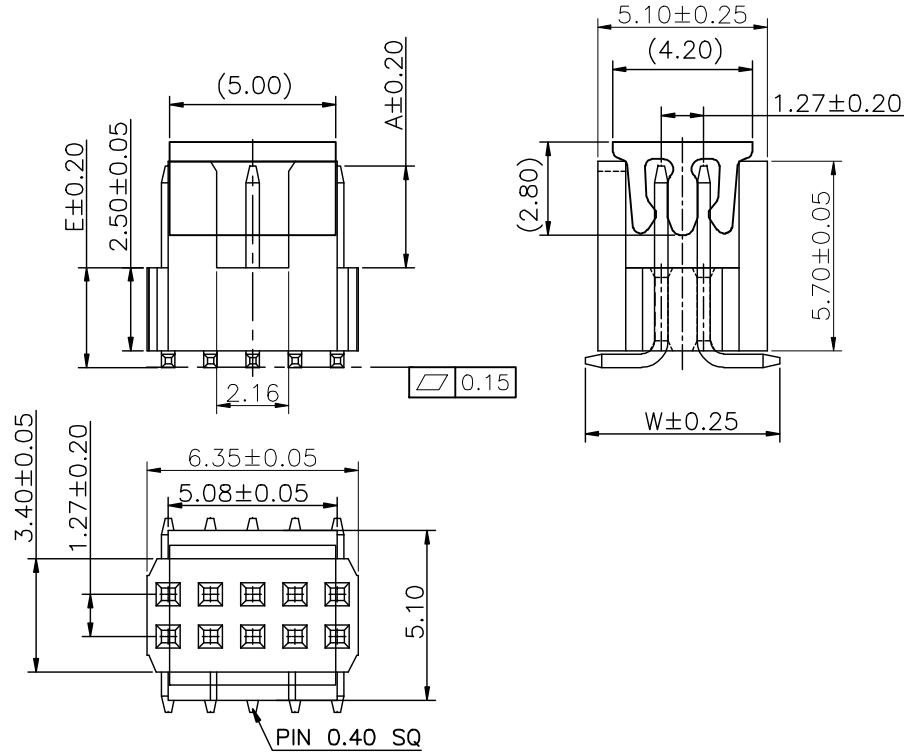
E

D

C

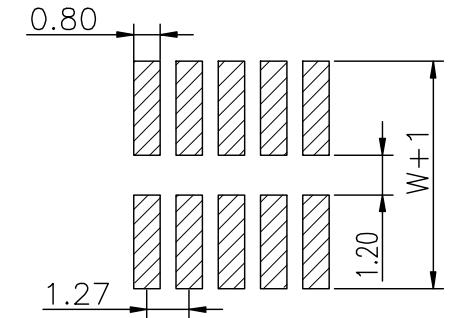
B

A



Specifications
 Current Rating:1.0Amp
 Insulation Resistance:1000MΩMin.
 Dielectric Withstanding Voltage:300VAC
 Contact Resistance:20mΩMax.
 Operating Temperature:-55°C to +125°C
 Materials
 Contact Material:Phosphor Bronze
 Insulator Material:High Temperature Thermoplastic, UL 94V-0 LCP or the equivalent material
 All materials must meet GREENCONN hazardous substances control standards.

Recommended P.C.Board Layout
 (Tolerance:±0.05)



Ordering Information

G TEC201 - XX XX A 001 X 1 X X

No. of Pins per Row 05
 Standard Plating 02=Gold Flash
 Selective Plating 01=Tin
 Insulator Material R=NYLON-HTN
 C=LCP Y=NYLON-10T
 Contact Material A=Phosphor Bronze
 B=Brass
 Standard Packing C=Tube
 Selective Packing D=Tape&Reel
 F=Cap+Tape&Reel

<p>Website:www.greenconn.com E-mail:sales@greenconn.com</p>		3RD.ANG PROJ. 	GENERAL TOLERANCE		DESIGNED:	DATE:	DWG. NO. GTEC201-CA1	TITLE. 1.27 PIN HEADER DUAL ROWS SMT TYPE CONNECTOR
			X.±5.0'	X.±0.30				
REV.	UNIT.	SCALE.	PAGE.	.X'±3.0'	.X±0.25	APPROVED:	PART NO. GTEC201-05XXA001X1XX	
01	mm	5:1	1/1	.XX'±2.0'	.XX±0.15			
				.XXX'±1.0'	.XXX±0.10			

1 2 3 4 5 6 7 8 9