

1 2 3 4 5 6 7 8 9

F

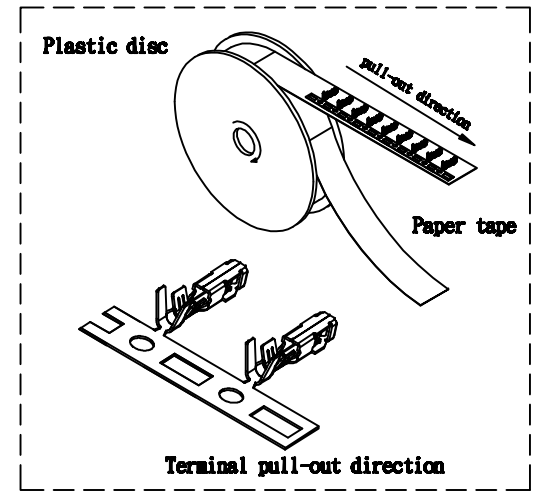
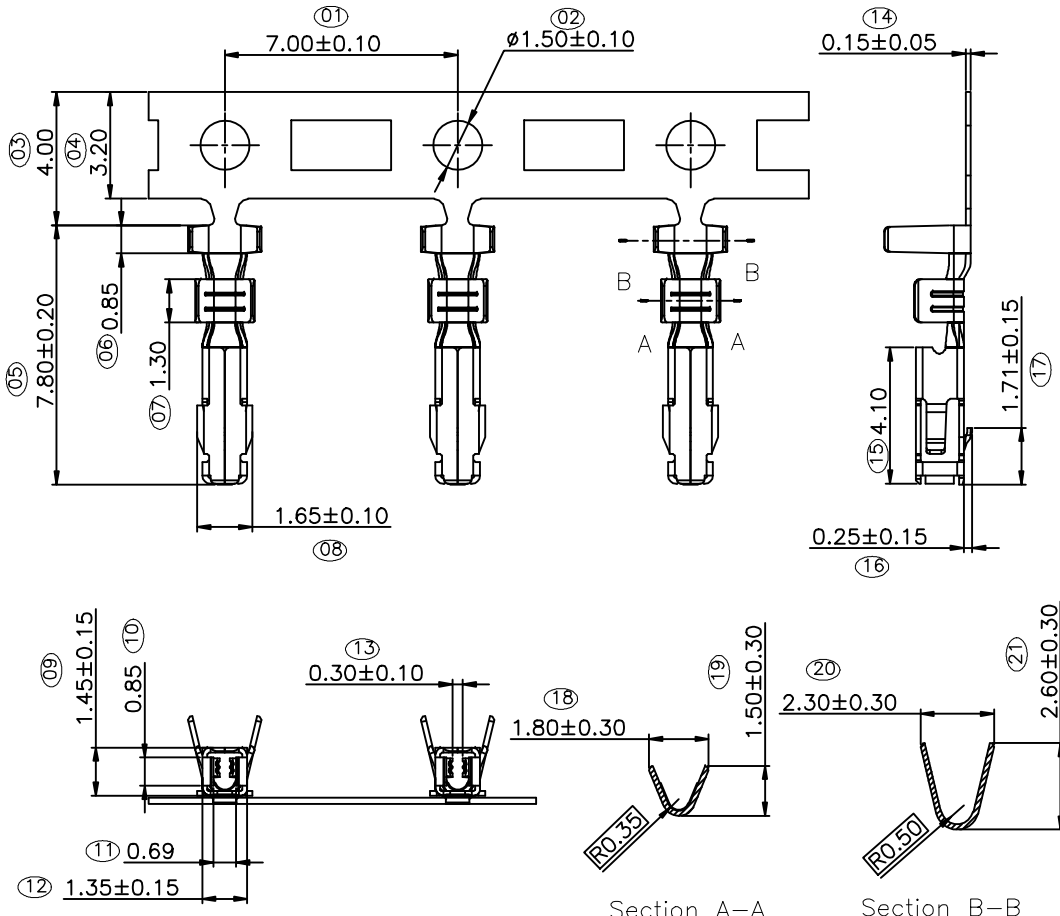
E

D

C

B

A



1. Material: Phosfor bronze alloy.
2. Plating:
Nickel underplated all over 50~100u"
Bright tin plated 80~160u" over all.
3. Tolerance for all radius is ±0.15mm unless otherwise specified.
4. All materials must meet GREENCONN hazardous substances control standards.

Greenconn's P/N	CABLE SPEC		Diameter of the cable including insulation(mm)
	mm ²	AWG#	
GRF159-0101AB-R	0.13~0.33	26~22	0.95~1.5

			3RD.ANG PROJ.	GENERAL TOLERANCE X:±3.0' X:±0.20 .X'±2.0' .X±0.15 .XX'±1.0' .XX±0.10 .XXX'±0.5' .XXX±0.05		DESIGNED:	DATE:	DWG. NO. GRF159-01-R		TITLE. Contact Pin
REV. A	UNIT. mm	SCALE. 5:1	PAGE. 1/1			CHECKED:	DATE:	PART NO. GRF159-0101AB-R		
					APPROVED:	DATE:				

1 2 3 4 5 6 7 8 9