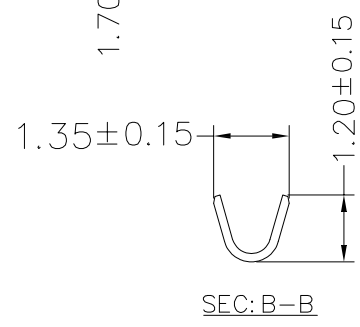
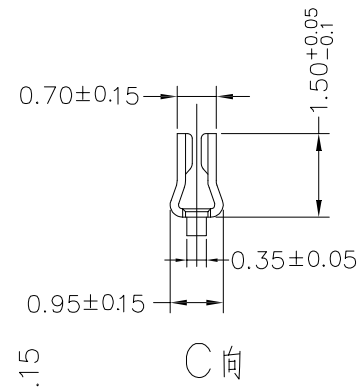
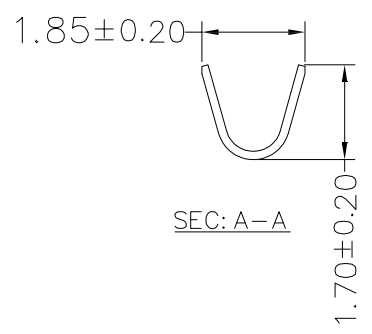
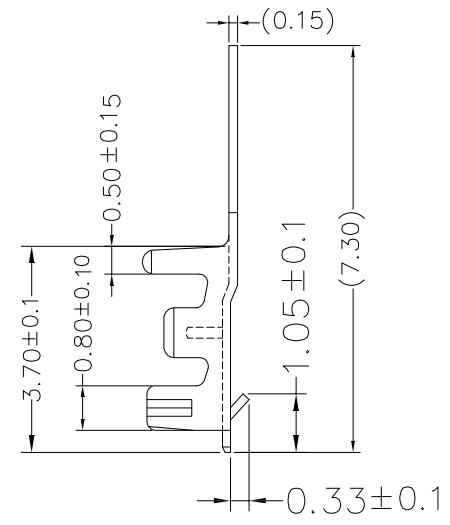
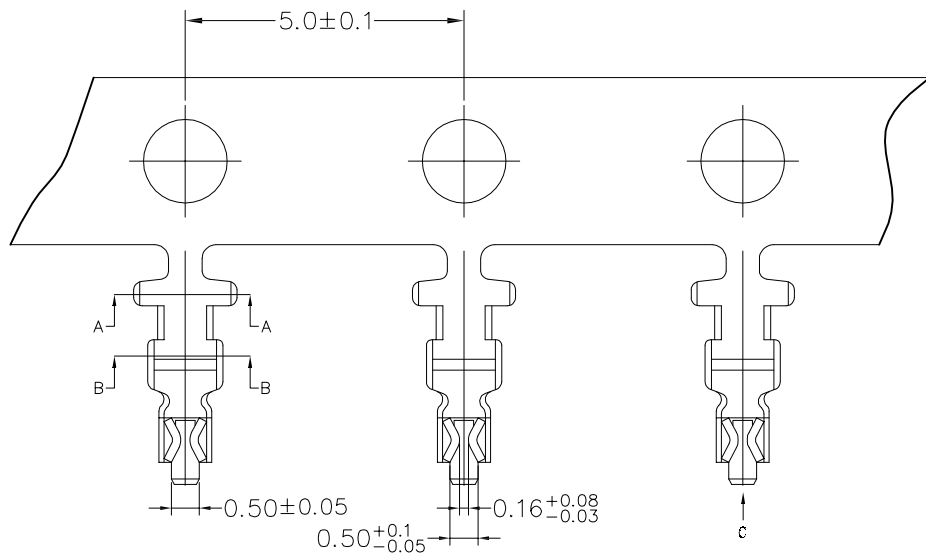


1 2 3 4 5 6 7 8 9

F
E
D
C
B
A

F
E
D
C
B
A



RATING
 OPERATING TEMPERATURE: -25~85°C
 OPERATING VOLTAGE: 200V AC/DC
 CURRENT RATING: 1.5 AMPS(AWG#26)
 DIELECTRIC WITHSTANDING VOLTAGE:
 1000V AC/Minute;
 INSULATION RESISTANCE:1000MΩ Min;
 CONTACT RESISTANCE:0.03Ω Max;

Ordering Information

GRD115 - 01 XX AB

Standard Plating
 01=Tin
 02=Gold flash

Materials
 AB=Phosphor Bronze

Greenconn
 Website: www.greenconn.com
 E-mail: sales@greenconn.com

3RD.ANG PROJ.

 PAGE. 1/1

GENERAL TOLERANCE	
X. 停 /	X. ?
.X 停 /	.X ? .25
.XX 停 /	.XX ? .20
.XXX 停 /	.XXX ? .15

DESIGNED: / DATE: /
 CHECKED: / DATE: /
 APPROVED: / DATE: /

DWG. NO. GRD115-T1
 PART NO. GRD115-01 XX AB

TITLE. 1.25 WEB CONN. PLUG GRIMP TERMINAL

1 2 3 4 5 6 7 8 9