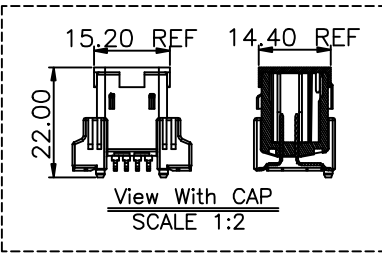
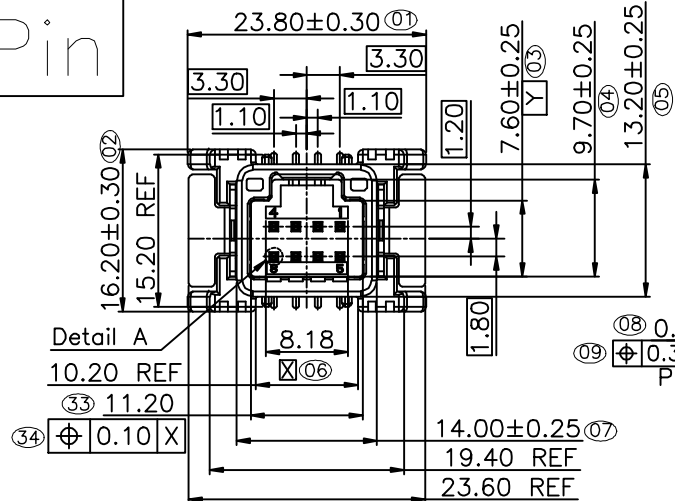
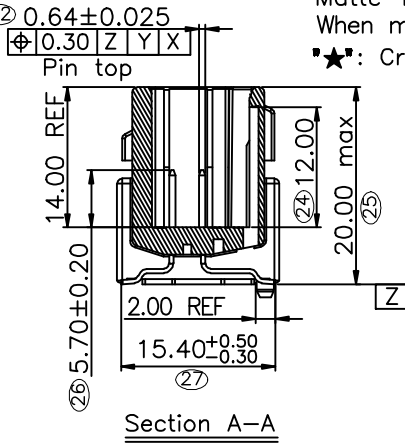
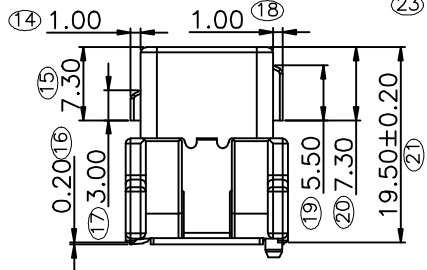
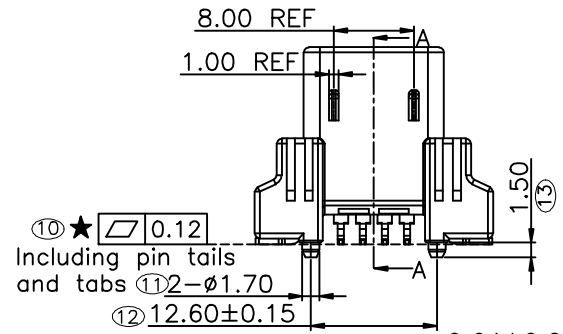


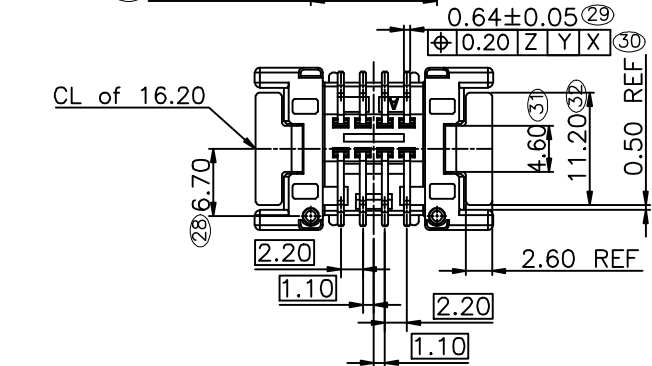
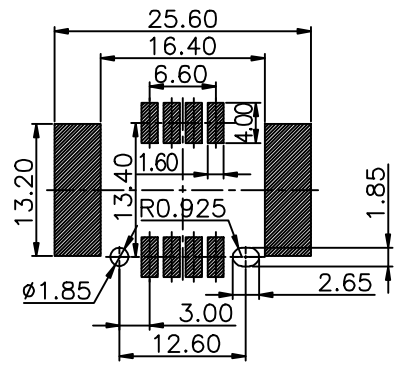
4Pin



Specifications
 Current Rating:3.0Amp
 Insulation Resistance:1000MΩ Min.
 Dielectric Withstanding Voltage:1000V AC
 Contact Resistance:Initial 8mΩ Max.,
 Final 16mΩ Max.
 Operating Temperature:-40°C to +105°C
 Materials
 Contact Material:Coppere alloy
 Stabilizator Material:Coppere alloy
 Insulator Material:LCP+GF, UL94V-0 Color: Black
 Plating:
 Nickel underplated 50~100u" over all
 Matte Tin 80~160u" over all
 When mounting,thickness of solder paste:0.15mm Min.
 ★★: Critical Characteristics.



Recommended P.C.Board Layout
 (Tolerance:±0.05)



Ordering Information

G PZC214 - XX XX B 003 C 1 J X
 No. of Pins per Row 04
 Standard Plating 22=Matte Tin over all 80~160u" Nickel underplated over all 50~100u"
 Color 1=Black
 Standard Packing F=Cap+Tape&reel

格稜股份有限公司
Greenconn Corporation

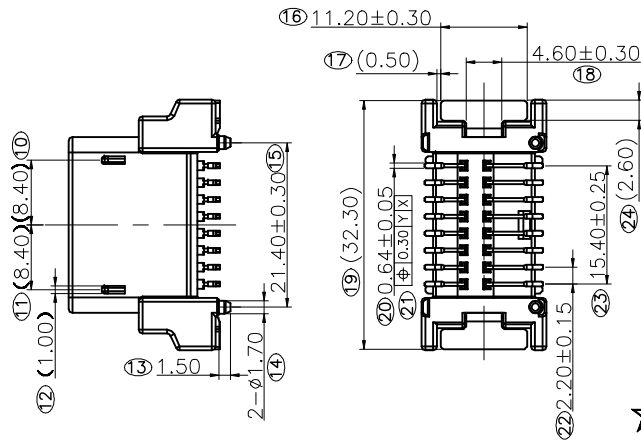
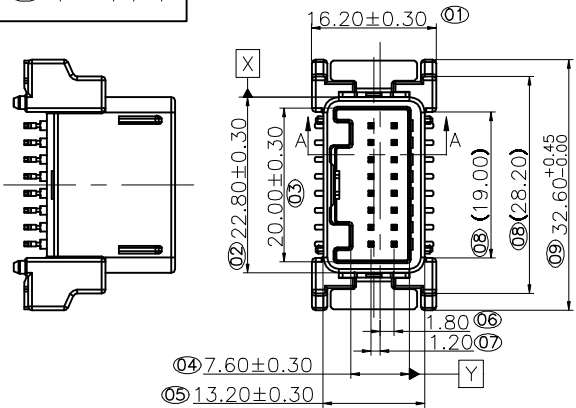
GENERAL TOLERANCE		DESIGNED:	DATE:
X'±3'	.X±0.25	CHECKED:	DATE:
.X'±2'	.XX±0.20	CO SIGNED:	DATE:
.XX'±1'	.XXX±0.15	APPROVED:	DATE:

DWG. NO.
 GPZC214-CB3CJ
 PART NO.
 GPZC214-04XXB003C1JX

TITLE.
 PITCH 2.20mm CMOD
 SERIES CONNECTOR

REV. 01	UNIT. mm	SCALE. 1:1.4	PAGE. 1/1
------------	-------------	-----------------	--------------

8Pin

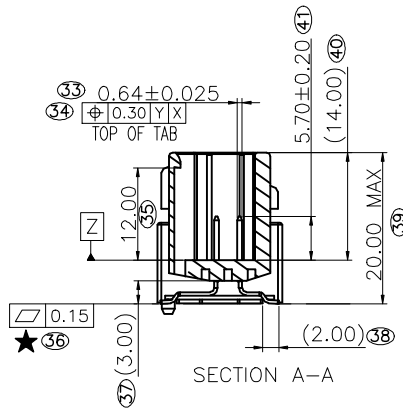
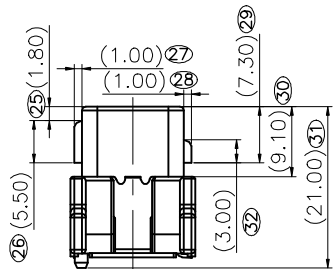


Specifications
 Current Rating:3.0Amp AC/DC.
 Voltage Rating:250VAC.
 Insulation Resistance:100MΩ Min.
 Dielectric Withstanding Voltage:1000VAC
 Contact Resistance:Initial 8mΩ Max.,
 Final 16mΩ Max.
 Operating HighTemperature:-25°C to +85°C.
 Materials
 Contact Material:Brass.
 Insulator Material:High Temperature Thermoplastic,
 UL 94V-0 Nylon 9T or the equivalent material.

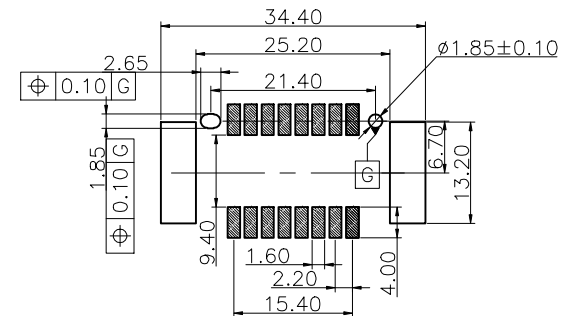
★ All materials must meet GREENCONN hazardous substances control standards.

★: Critical Characteristics, indicates product characteristics, functionalities, and manufacturing processes regarding to customer's specifications

★: Safety Features indicates product characteristics, functionalities, and manufacturing processes complying to legal regulations stated by local government



Recommended P.C.Board Layout
 (Tolerance:±0.05)



Ordering Information

G PZC214- XX XX B XXX J 1 Z X
 No. of Pins per Row 08
 Standard Plating 01=Ni:50~100μ"
 Tin:80~160μ"
 Color 1=Black
 Standard Packing C=Tube



3RD.ANG PROJ.
 PAGE. 1/1

GENERAL TOLERANCE	
X'±5.0'	X.±0.30
.X'±3.0'	.X±0.25
.XX'±2.0'	.XX±0.15
.XXX'±1.0'	.XXX±0.10

DESIGNED:
 CHECKED:
 APPROVED:
 DATE:
 DATE:
 DATE:

DWG. NO.
 GPZC214-CBJZ
 PART NO.
 GPZC214-08XXBXXXJ1ZX

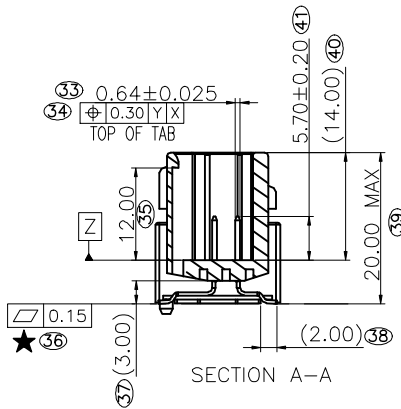
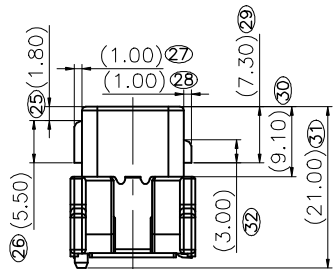
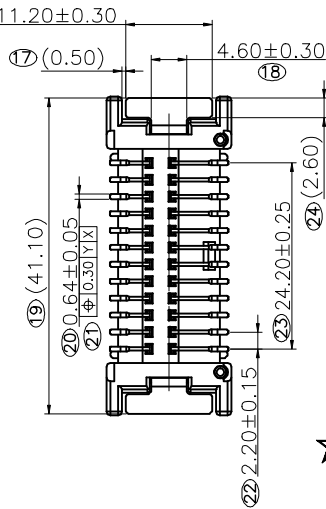
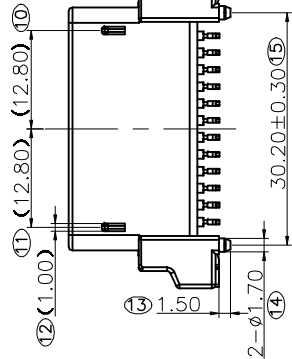
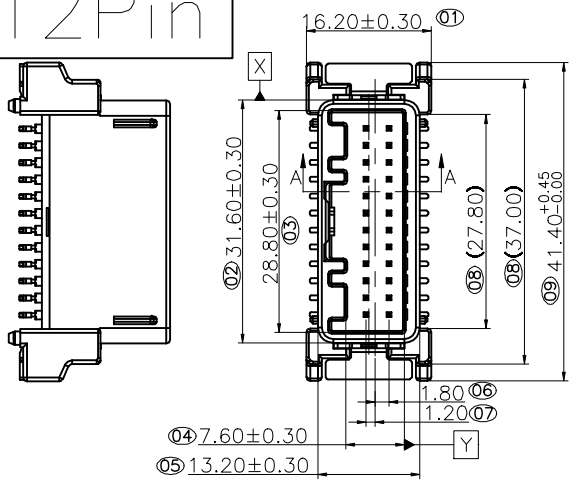
TITLE.
 2.20 PITCH DUAL ROWS
 SMT TYPE CONNECTOR

REV. A

UNIT. mm

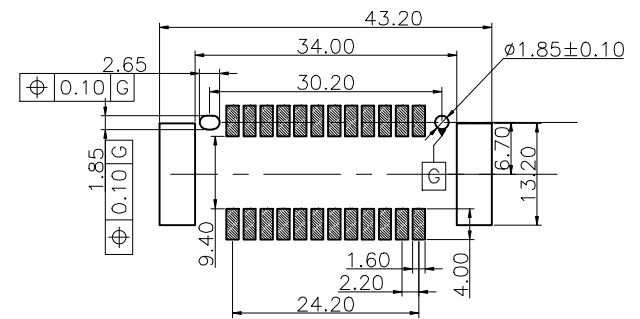
SCALE. 1:1

12Pin



Specifications
 Current Rating:3.0Amp AC/DC.
 Voltage Rating:250VAC.
 Insulation Resistance:100MΩ Min.
 Dielectric Withstanding Voltage:1000VAC
 Contact Resistance:Initial 8mΩ Max.,
 Final 16mΩ Max.
 Operating HighTemperature:-25°C to +85°C.
 Materials
 Contact Material:Brass.
 Insulator Material:High Temperature Thermoplastic,
 UL 94V-0 Nylon 9T or the equivalent material.
 ★All materials must meet GREENCONN
 hazardous substances control standards.
 ★*: Critical Characteristics,
 indicates product characteristics,
 functionalities, and manufacturing processes
 regarding to customer's specifications
 ★: Safety Features
 indicates product characteristics,
 functionalities, and manufacturing processes
 complying to legal regulations stated by
 local government

Recommended P.C.Board
 Layout
 (Tolerance:±0.05)



Ordering Information

G PZC214- XX XX B XXX J 1 Z X
 No. of Pins per Row 12
 Standard Plating 01=Ni:50~100μ"
 Tin:80~160μ"
 Color 1=Black
 Standard Packing C=Tube



3RD.ANG
 PROJ.
 PAGE. 1/1

GENERAL TOLERANCE	
X'±5.0'	X.±0.30
.X'±3.0'	.X±0.25
.XX'±2.0'	.XX±0.15
.XXX'±1.0'	.XXX±0.10

DESIGNED:
 CHECKED:
 APPROVED:
 DATE:
 DATE:
 DATE:

DWG. NO.
 GPZC214-CBJZ
 PART NO.
 GPZC214-12XXBXXXJ1ZX

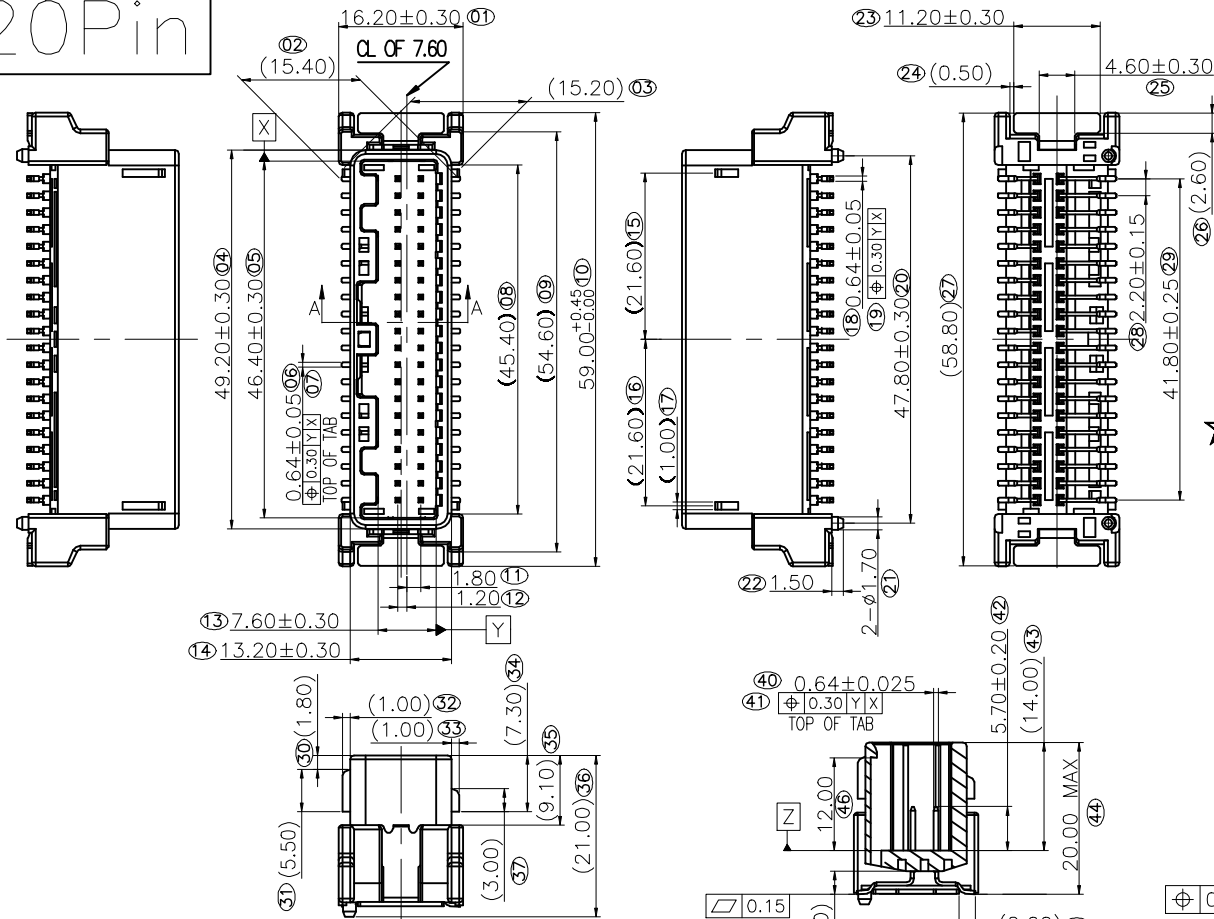
TITLE.
 2.20 PITCH DUAL ROWS
 SMT TYPE CONNECTOR

REV. A

UNIT. mm

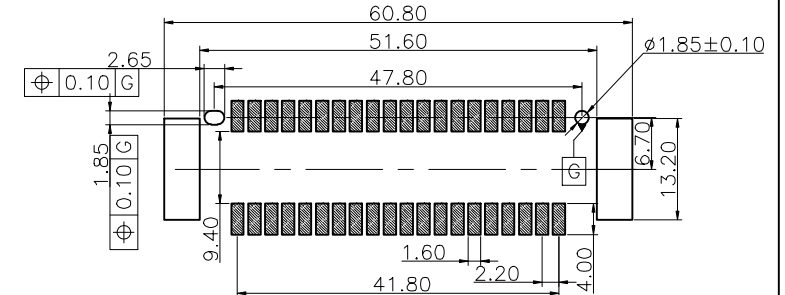
SCALE. 1:1

20Pin



Specifications
 Current Rating:3.0Amp AC/DC.
 Voltage Rating:250VAC.
 Insulation Resistance:100MΩ Min.
 Dielectric Withstanding Voltage:1000VAC
 Contact Resistance:Initial 8mΩ Max.,
 Final 16mΩ Max.
 Operating HighTemperature:-25°C to +85°C.
 Materials
 Contact Material:Brass.
 Insulator Material:High Temperature Thermoplastic,
 UL 94V-0 Nylon 9T or the equivalent material.
 ☆ All materials must meet GREENCONN
 hazardous substances control standards.
 "★": Critical Characteristics,
 indicates product characteristics,
 functionalities, and manufacturing processes
 regarding to customer's specifications
 "☆": Safety Features
 indicates product characteristics,
 functionalities, and manufacturing processes
 complying to legal regulations stated by
 local government

Recommended P.C.Board
 Layout
 (Tolerance:±0.05)



Ordering Information

G PZC214- XX XX B 002 J 1 Z X
 No. of Pins per Row 20
 Standard Plating 01=Ni:50~100μ*
 Tin:80~160μ*
 Color 1=Black
 Standard Packing C=Tube



3RD.ANG
 PROJ.
 PAGE. 1/1

GENERAL TOLERANCE	
X'±5.0'	X.±0.30
.X'±3.0'	.X±0.25
.XX'±2.0'	.XX±0.15
.XXX'±1.0'	.XXX±0.10

DESIGNED:
 CHECKED:
 APPROVED:
 DATE:
 DATE:
 DATE:

DWG. NO.
 GPZC214-CB2JZ
 PART NO.
 GPZC214-20XXB002J1ZX

TITLE.
 2.20 PITCH DUAL ROWS
 SMT TYPE CONNECTOR

REV.	UNIT.	SCALE.
A	mm	1:1