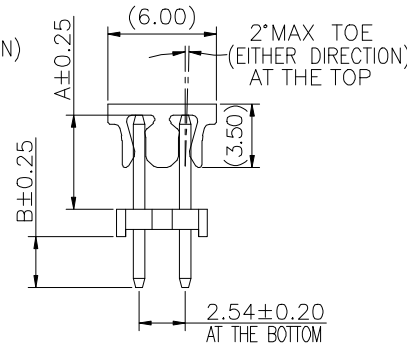
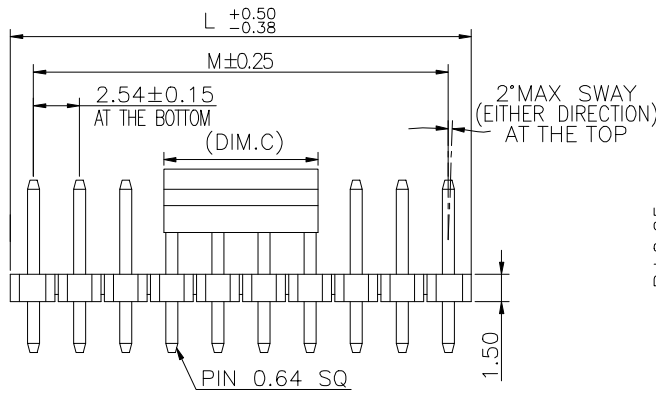




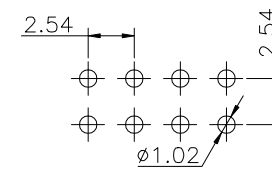
Dim.C	NOTE
5.00mm	02Pins
6.00mm	03~08Pins
8.50mm	09~40Pins

**Specifications**  
 Current Rating:3.0Amp  
 Insulation Resistance:1000MΩMin.  
 Dielectric Withstanding Voltage:600VAC  
 Contact Resistance:20mΩMax.  
 Operating Temperature:-40°C to +105°C(PBT)  
 -55°C to +125°C(LCP,NYLON)

**Materials**  
**Contact Material:**  
 Brass(Pin length less than 25mm)  
 Phosphor Bronze(The total length of pin is more than 25mm)  
**Insulator Material:**  
 PBT(Not resistant to high temperature), Nylon(High temperature resistance), LCP(High temperature resistance),  
 UL 94V-0  
 All materials must meet Greenconn hazardous substances control standards.



Recommended P.C.Board Layout  
 (Tolerance:±0.05)



No. of PIN/ROW	Dimension Information	
	M	L
02	2.54	5.08
03	5.08	7.62
04	7.62	10.16
05	10.16	12.70
06	12.70	15.24
07	15.24	17.78
08	17.78	20.32
09	20.32	22.86
10	22.86	25.40
11	25.40	27.94
12	27.94	30.48
13	30.48	33.02
14	33.02	35.56
15	35.56	38.10
16	38.10	40.64
17	40.64	43.18
18	43.18	45.72
19	45.72	48.26
20	48.26	50.80
21	50.80	53.34
22	53.34	55.88
23	55.88	58.42
24	58.42	60.96
25	60.96	63.50
26	63.50	66.04
27	66.04	68.58
28	68.58	71.12
29	71.12	73.66
30	73.66	76.20
31	76.20	78.74
32	78.74	81.28
33	81.28	83.82
34	83.82	86.36
35	86.36	88.90
36	88.90	91.44
37	91.44	93.98
38	93.98	96.52
39	96.52	99.06
40	99.06	101.60

### Ordering Information

G PHA207 - XX XX A XXX X 1 X X

Plastic specifications  
 1=Single row  
 2=Dual row  
 3=Tripe row  
 4=Quadruple

No. of Pins per Row  
 02~40

Positioning column information  
 A=No locating post  
 B=Round post  
 C=Square post

Plating code  
 01=Tin  
 02=Gold Flash  
 05=Gold Flash/Tin  
 22=Matte Tin

Pin length  
 See the drawing

Insulator Material  
 A=PBT  
 R=Nylon(Halogen Free)  
 Y=NYLON-10T  
 C=LCP

Color  
 1=Black

Contact Material  
 A=Phosphor Bronze  
 B=Brass

Packing code  
 A=Box  
 C=Tube  
 D=Tape&Reel  
 E=Cap+Tube  
 F=Cap+Tape&Reel



Website:www.greenconn.com  
 E-mail:sales@greenconn.com

REV. A	UNIT. mm	SCALE. 3:1	PAGE. 1/1	GENERAL TOLERANCE		DESIGNED:	DATE:	DWG. NO. GPHA207-Series	TITLE. 2.54 PIN HEADER DUAL ROWS DIP TYPE CONNECTOR		
				X: ±5.0'	X: ±0.30					CHECKED:	DATE:
				.X' ±3.0'	.X ±0.25						
.XX' ±2.0'	.XX ±0.15	PART NO. GPHA207-Series									
				.XXX' ±1.0'	.XXX ±0.10						