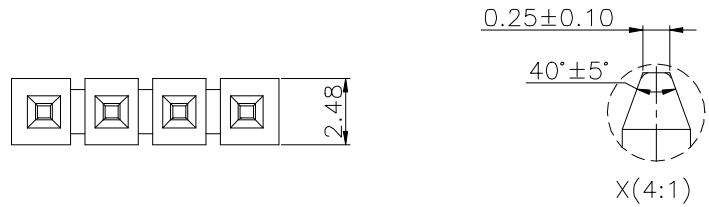


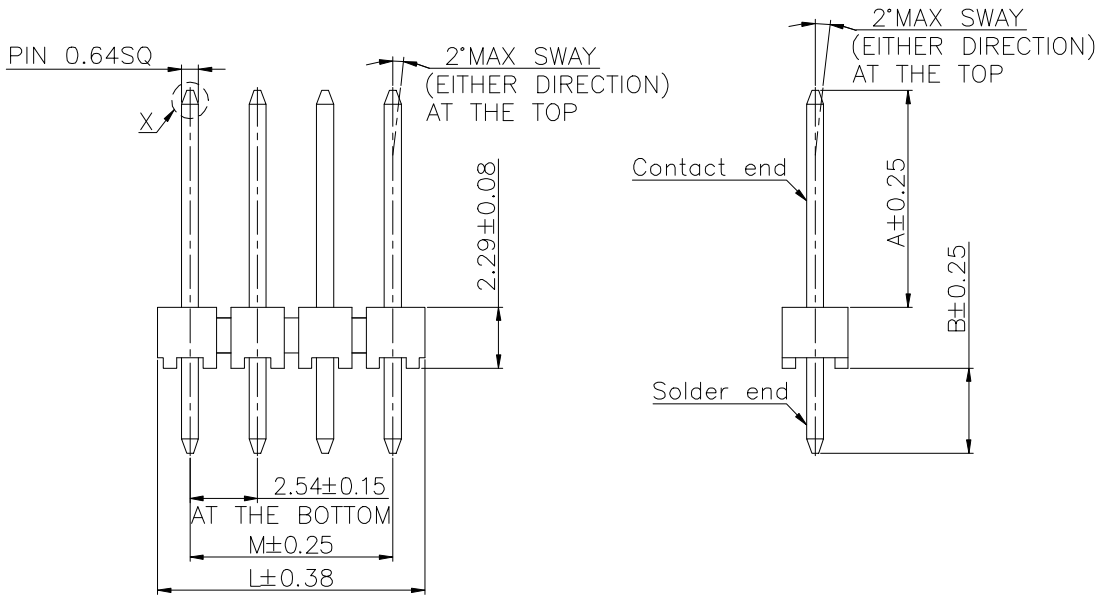
1 2 3 4 5 6 7 8 9

F

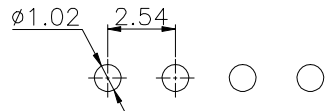


Specifications
 Current Rating:3Amp.
 Insulation Resistance:1000MΩ Min.
 Dielectric Withstanding Voltage:600VAC.
 Contact Resistance:20mΩ Max.
 Operating Temperature:-40°C to +105°C.
Materials
 Contact Material:Brass.
 Insulator Material:High Temperature Thermoplastic, UL 94V-0 LCP(Nylon) or the equivalent material (Halogen Free).
 All materials must meet Greenconn requirement for environment protection.

E



Recommended P.C.Board Layout
 (Tolerance:±0.05)



D

C

Ordering Information

G PHA181 - XX XX A XXX X X X X

No. Of Pins Per Row 02~10 Standard Plating 22=Matte Tin(80u"-160u")
 01=Tin 02=Gold Flash 05=Gold Flash/Tin

Insulator Material C=LCP R=Nylon(Halogen Free)

Color 1=Black

Contact Material A=Phosphor Bronze B=Brass

Standard Packing A=Box

No. of PIN/ROW	Dimension Information	
	M	L
02	2.54	4.96
03	5.08	7.50
04	7.62	10.04
05	10.16	12.58
06	12.70	15.12
07	15.24	17.66
08	17.78	20.20
09	20.32	22.74
10	22.86	25.28

A

<p>Website:www.greenconn.com E-mail:sales@greenconn.com</p>	3RD.ANG PROJ. 	GENERAL TOLERANCE		DESIGNED:	DATE:	DWG. NO. GPHA181-Series	TITLE. 2.54 MALE HEADER SINGLE ROW DIP TYPE CONNECTOR
		X.±5.0'	X.±0.30				
REV. 01	UNIT. mm	SCALE. 4:1	PAGE. 1/1	.X'±3.0'	.X±0.25	APPROVED:	DATE:
				.XX'±2.0'	.XX±0.15		
				.XXX'±1.0'	.XXX±0.10		

1 2 3 4 5 6 7 8 9