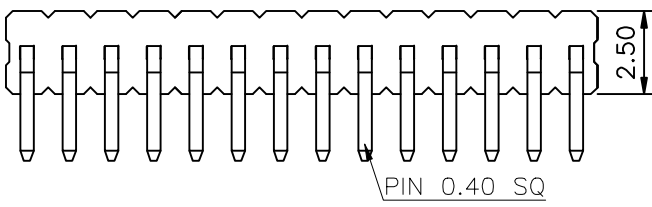
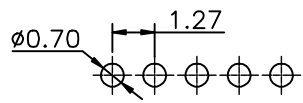


1 2 3 4 5 6 7 8 9

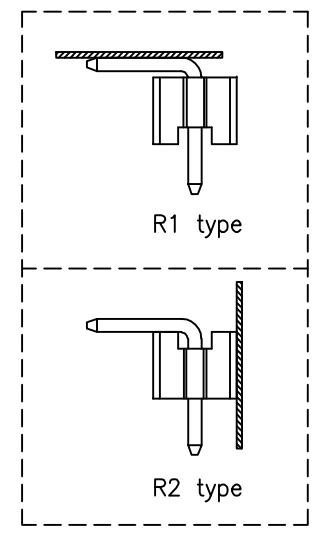
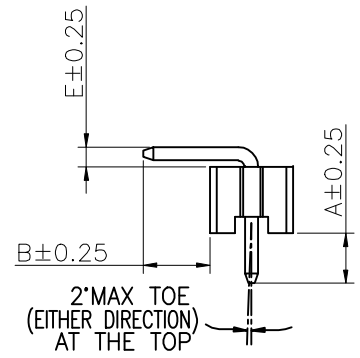
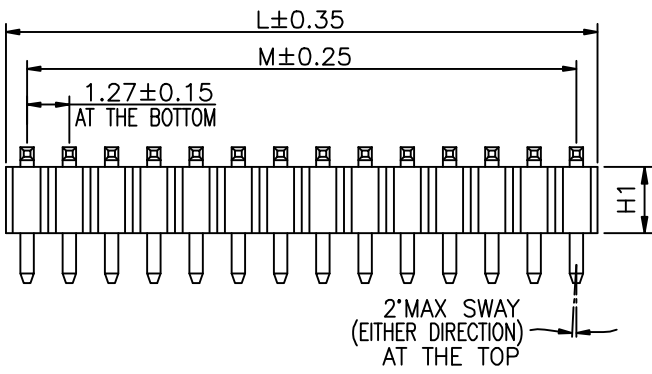
F  
E  
D  
C  
B  
A



Recommended P.C.Board  
Layout  
(Tolerance:±0.05)



Specifications  
Current Rating:1.0Amp  
Insulation Resistance:1000MΩMin.  
Dielectric Withstanding Voltage:300VAC  
Contact Resistance:20mΩMax.  
Operating Temperature:-40°C to +105°C  
Materials  
Contact Material:Brass  
Insulator Material:High Temperature  
Thermoplastic, UL 94V-0 LCP  
or the equivalent material  
All materials must meet Greennonn  
hazardous substances control standards.



2\*MAX SWAY  
(EITHER DIRECTION)  
AT THE TOP

2\*MAX TOE  
(EITHER DIRECTION)  
AT THE TOP

No. of PIN/ROW	Dimension Information	
	L	M
02	2.54	1.27
03	3.81	2.54
04	5.08	3.81
05	6.35	5.08
06	7.62	6.35
07	8.89	7.62
08	10.16	8.89
09	11.43	10.16
10	12.70	11.43
11	13.97	12.70
12	15.24	13.97
13	16.51	15.24
14	17.78	16.51
15	19.05	17.78
16	20.32	19.05
17	21.59	20.32
18	22.86	21.59
19	24.13	22.86
20	25.40	24.13
21	26.67	25.40
22	27.94	26.67
23	29.21	27.94
24	30.48	29.21
25	31.75	30.48
26	33.02	31.75
27	34.29	33.02
28	35.56	34.29
29	36.83	35.56
30	38.10	36.83
31	39.37	38.10
32	40.64	39.37
33	41.91	40.64

Ordering Information

G PEB1XX - XX XX A XXX C 1 Z X

Plastic specifications  
1=Single row  
2=Dual row  
3=Tripe row  
4=Quadruple

Water code  
08:H1=1.00  
09:H1=1.50  
11:H1=2.00

No. of Pins per Row  
02~33

Positioning column information  
A=No locating post  
B=Round post  
C=Square post

Pin length  
See the drawing

Plating code  
01=Tin  
02=Gold Flash  
05=Gold Flash/Tin  
22=Matte Tin

Insulator Material  
A=PBT  
R=Nylon(Halogen Free)  
C=LCP

Color  
1=Black  
2=White  
3=Yellow  
E=Beige

Contact Material  
A/S/K/T=Phosphor Bronze  
B/Z/H/W=Brass

Packing code  
A=Box  
C=Tube  
D=Tape&Reel  
E=Cap+Tube  
F=Cap+Tape&Reel

格稜股份有限公司  
Greennonn Corporation

GENERAL TOLERANCE	
X.±5.0'	X.±0.30
.X'±3.0'	.X±0.25
.XX'±2.0'	.XX±0.15
.XXX'±1.0'	.XXX±0.10

DESIGNED:	DATE:
CHECKED:	DATE:
CO SIGNED:	DATE:
APPROVED:	DATE:

DWG. NO.	GPEB1XX-CAXX
PART NO.	GPEB1XX-XXXX AXXX C1ZX

TITLE.  
1.27 PIN HEADER  
SINGLE ROW R/A TYPE  
CONNECTOR

A

1 2 3 4 5 6 7 8 9