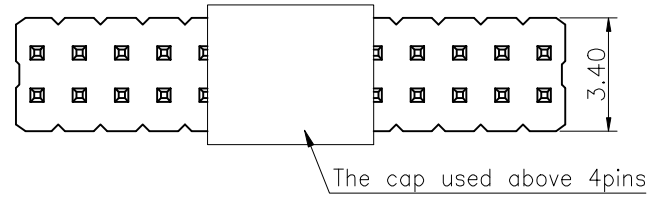
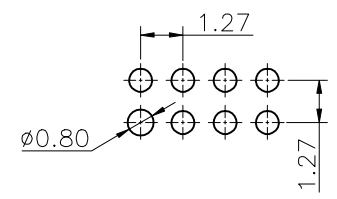


1 2 3 4 5 6 7 8 9

F

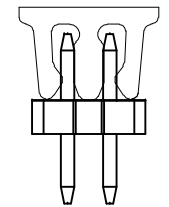
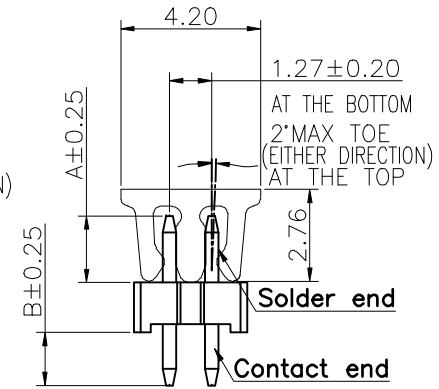
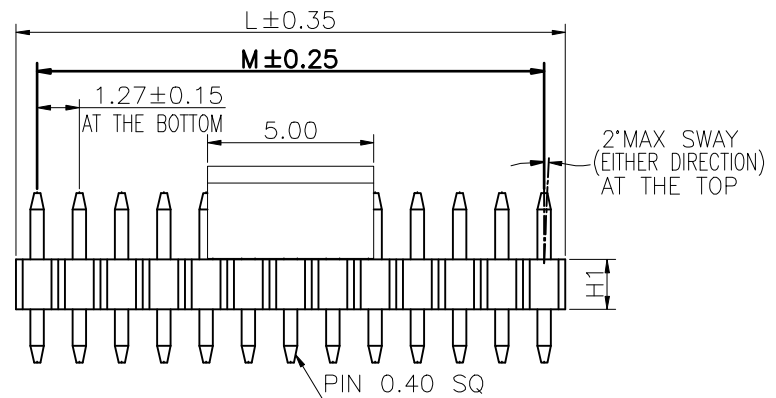


Recommended P.C.Board Layout
(Tolerance:±0.05)



Specifications
Current Rating:1.0Amp
Insulation Resistance:1000MΩMin.
Dielectric Withstanding Voltage:300VAC
Contact Resistance:20mΩMax.
Operating Temperature:-40°C to +105°C
Materials
Contact Material:Brass
Insulator Material:High Temperature Thermoplastic, UL 94V-0 LCP or the equivalent material
All materials must meet Greenconn hazardous substances control standards.

E



GPEA209/210/211/212/214 have Stand-off

GPEA208 No Stand-off

D

C

No. of PIN/ROW	Dimension Information		No. of PIN/ROW	Dimension Information	
	L	M		L	M
02	2.54	1.27	27	34.29	33.02
03	3.81	2.54	28	35.56	34.29
04	5.08	3.81	29	36.83	35.56
05	6.35	5.08	30	38.10	36.83
06	7.62	6.35	31	39.37	38.10
07	8.89	7.62	32	40.64	39.37
08	10.16	8.89	33	41.91	40.64
09	11.43	10.16	34	43.18	41.91
10	12.70	11.43	35	44.45	43.18
11	13.97	12.70	36	45.72	44.45
12	15.24	13.97	37	46.99	45.72
13	16.51	15.24	38	48.26	46.99
14	17.78	16.51	39	49.53	48.26
15	19.05	17.78	40	50.80	49.53
16	20.32	19.05	41	52.07	50.80
17	21.59	20.32	42	53.34	52.07
18	22.86	21.59	43	54.61	53.34
19	24.13	22.86	44	55.88	54.61
20	25.40	24.13	45	57.15	55.88
21	26.67	25.40	46	58.42	57.15
22	27.94	26.67	47	59.69	58.42
23	29.21	27.94	48	60.96	59.69
24	30.48	29.21	49	62.23	60.96
25	31.75	30.48	50	63.50	62.23
26	33.02	31.75			

D

C

B

Ordering Information

G PEA2XX - XX XX A XXX C

Plastic specifications
1=Single row
2=Dual row
3=Tripe row
4=Quadruple

Water code
08:H1=1.00
09:H1=1.50
10:H1=1.70
11:H1=2.00
12:H1=2.50
14:H1=3.00

No. of Pins per Row
02~50

Positioning column information
A=No locating post
B=Round post
C=Square post

Plating code
01=Tin
02=Gold Flash
05=Gold Flash/Tin
22=Matte Tin

Pin length
See the drawing

Insulator Material
A=PBT
R=Nylon(Halogen Free)
C=LCP

Color
1=Black
2=White
3=Yellow
E=Beige

Contact Material
A/S/K/T=Phosphor Bronze
B/Z/H/W=Brass

Packing code
A=Box
C=Tube
D=Tape&Reel
E=Cap+Tube
F=Cap+Tape&Reel

A

格稜股份有限公司 Greenconn Corporation				GENERAL TOLERANCE		DESIGNED:	DATE:	DWG. NO. GPEA2XX-CAXX	TITLE. 1.27 PIN HEADER DUAL ROWS DIP TYPE CONNECTOR
				X.±5.0'	X.±0.30	CHECKED:	DATE:		
REV. 01	UNIT. mm	SCALE. 5:1	PAGE. 1/1	.X'±3.0'	.X±0.25	CO SIGNED:	DATE:	PART NO. GPEA2XX-XX XX AXXXC1ZX	
				.XX'±2.0'	.XX±0.15	APPROVED:	DATE:		
				.XXX'±1.0'	.XXX±0.10				

1 2 3 4 5 6 7 8 9