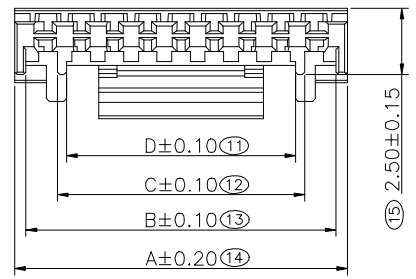
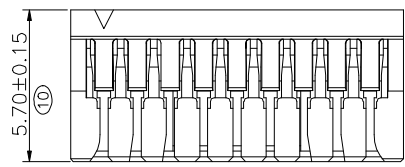
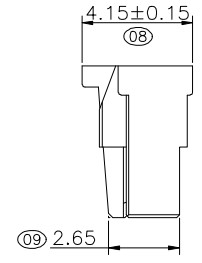
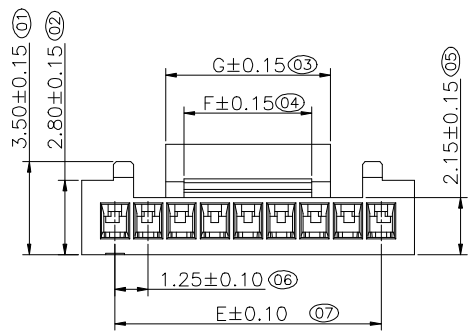
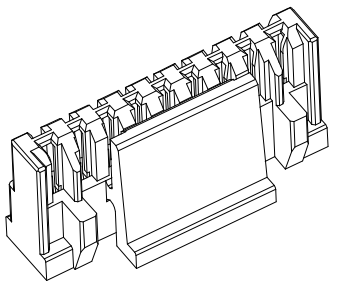


1 2 3 4 5 6 7 8 9

F
E
D
C
B
A



Specifications
 Current Rating:AWG26:1.0Amp
 :AWG28:1.0Amp
 :AWG30:1.0Amp
 Voltage Rating: 50V AC/DC.
 Insulation Resistance:100MΩ Min.
 Dielectric Withstanding Voltage:500V AC
 Contact Resistance:30mΩ Max.
 Operating Temperature:-25°C to +85°C
 Materials
 Regular Thermoplastic:Only Suitable for
 Wave Soldering Process (PBT).
 All materials must meet GREENCONN
 hazardous substances control standards.

Ordering Information

G HD361 - XX A AJ - N

No. of Pins per Row
02,03,04,05,06,07,08,09,
10,11,12,13,14,15

Standard Packing
N=PE bag

No.of	Dimensions (mm)							
	A	B	C	D	E	F	G	
2	3.75	2.90	N/A	N/A	1.25	1.10	2.30	
未開模	3	5.00	4.15	N/A	N/A	2.50	1.80	3.20
4	6.25	5.40	N/A	N/A	3.75	2.80	4.20	
未開模	5	7.50	6.65	N/A	N/A	5.00	2.80	4.20
未開模	6	8.75	7.90	N/A	N/A	6.25	4.80	6.20
未開模	7	10.00	9.15	N/A	N/A	7.50	4.80	6.20
8	11.25	10.40	8.05	7.35	8.75	4.80	6.20	
9	12.50	11.65	9.30	8.60	10.00	4.80	6.20	
未開模	10	13.75	12.90	10.55	9.85	11.25	8.20	6.40
未開模	11	15.00	14.15	11.80	11.10	12.50	8.20	6.40
未開模	12	16.25	15.40	13.05	12.35	13.75	8.20	6.40
未開模	13	17.50	16.65	14.30	13.60	15.00	8.20	6.40
未開模	14	18.75	17.90	13.05	12.35	16.25	8.20	6.40
未開模	15	20.00	19.15	14.30	13.60	17.50	8.20	6.80



3RD.ANG
PROJ.

 PAGE. 1/2

GENERAL TOLERANCE	
X'±5.0'	X.±0.30
.X'±3.0'	.X±0.25
.XX'±2.0'	.XX±0.15
.XXX'±1.0'	.XXX±0.10

DESIGNED: _____ DATE: _____
 CHECKED: _____ DATE: _____
 APPROVED: _____ DATE: _____

DWG. NO.
GHD361-HA-N
 PART NO.
GHD361-XXAAJ-N

TITLE.
1.25mm PITCH
DISCONNECTABLE CRIMP STYLE
CONNECTORS-Housing

REV. B UNIT. mm SCALE. 4:1

1 2 3 4 5 6 7 8 9

