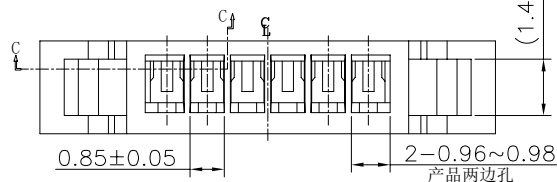
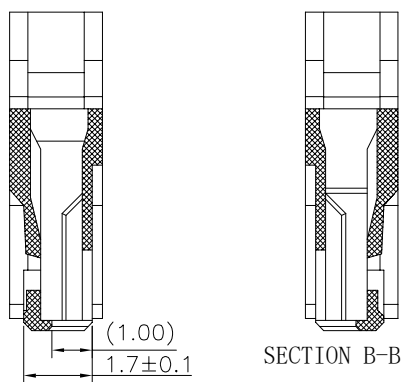
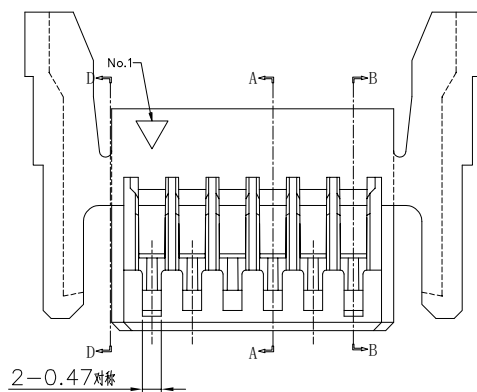


Specifications
 Current Rating: 1.0Amps
 Current Voltage: 125V AC/DC
 Insulation Resistance: 100MΩ Min.
 Dielectric Withstanding Voltage: 500VAC/minute
 Contact Resistance: 0.03Ω Max.
 Operating Temperature: -25°C to +85°C

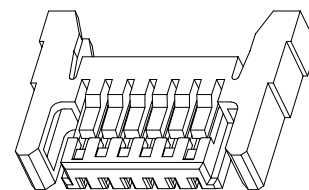
Materials
 Insulator Material: Nylon-66, UL 94V-0
 Mating Terminal: GRC114-T1
 All materials must meet Greenconn hazardous substances control standards.



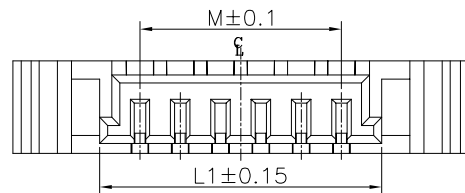
SECTION C-C SECTION D-D



SECTION A-A



No. of Pins/Row	Dimensions Information		
	M	L1	L
05	4.00	6.00	10.30



Ordering Information

GHC111 - XX A XX

No. of Pins Per Row SEE TABLE
 Materials /Color M=Nylon66/White

Greenconn
 Website: www.greenconn.com
 E-mail: sales@greenconn.com

3RD.ANG PROJ.

 PAGE. 1/1

GENERAL TOLERANCE	
X.*±3*	X.±/
.X*±0.5*	.X±0.25
.XX*±/*	.XX±0.12
.XXX*±/*	.XXX±0.05

DESIGNED: / DATE: /
 CHECKED: / DATE: /
 APPROVED: / DATE: /

DWG. NO. GHC111-HA
 PART NO. GHC111-XXAXX

TITLE. 1.0mm HOUSING