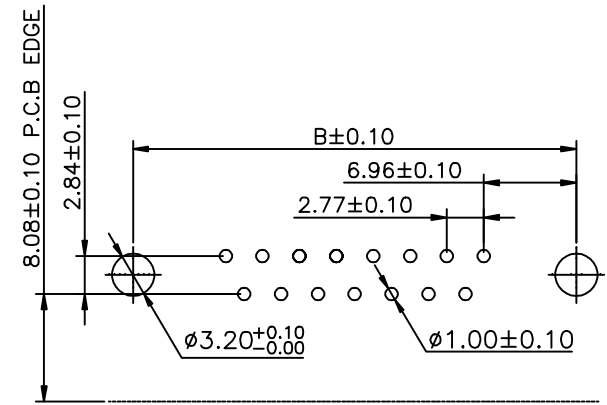
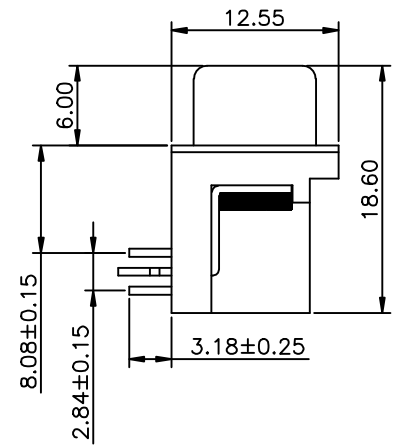
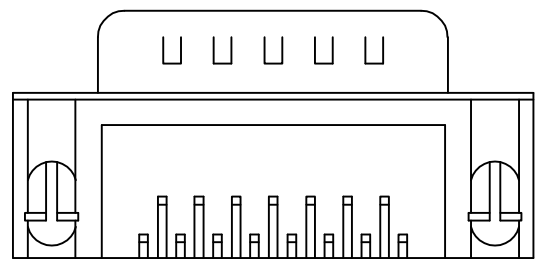


**Specifications**  
 Current Rating: 3.0Amp AC/DC.  
 Insulation Resistance: 1000MΩ Min.  
 Voltage rating: 300V AC/DC.  
 Contact Resistance: 20mΩ Max.  
 Temperature rating: -25°C to +105°C.

**Materials**  
 Contact Material: Brass.  
 Shell material: Spcc.  
 Boardlock: Copper Alloy/Under plating Ni(50~200μ"),  
 Over plating Sn (80~200μ").  
 Insulator Material: Polyester UL94V-0  
 PBT Or Equivalent material.  
 All materials must meet Greenconn  
 requirement for environment protection.



Recommended P.C. Board  
Hole Layout

**Ordering Information**

G DZB202 - XX XX A 004 A 1 B X

No. of Pins per Row  
09,15,25,

Standard Plating  
02=Gold Flash  
Selective Plating  
01=Tin  
05=Gold Flash/Tin  
55=15u" Gold/Tin  
58=30u" Gold/Tin

Color  
1=Black

Standard Packing  
B=Tray  
Selective Packing  
C=Tube

NO. of PIN/ROWS	Dimension Lnfomation		
	A	B	C
09	16.92	24.99	30.80
15	25.25	33.32	39.10
25	38.96	47.04	53.00

**格稜股份有限公司**  
**Greenconn Corporation**

REV. 10	UNIT. mm	SCALE. 2:1	PAGE. 1/1	GENERAL TOLERANCE		DESIGNED:	DATE:	DWG. NO. GDZB202-CA4AB	TITLE. D-SUB SERIES 0.318" MALE
				X.±5.0'	X.±0.30	CHECKED:	DATE:		
				.X'±3.0'	.X±0.25	CO SIGNED:	DATE:		
				.XXX'±1.0'	.XXX±0.10	APPROVED:	DATE:		
PART NO. GDZB202-XXXX A004A1BX									