

1 2 3 4 5 6 7 8 9

F
E
D
C
B
A

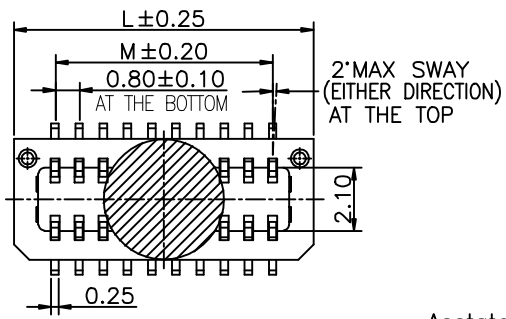
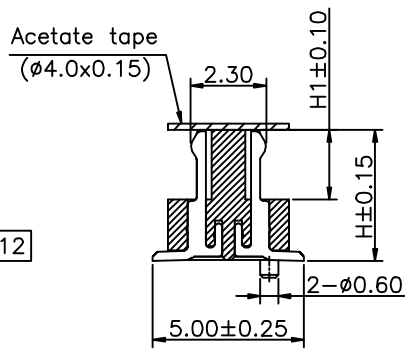
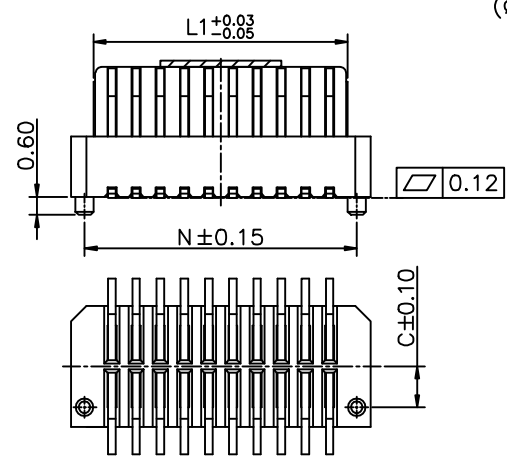


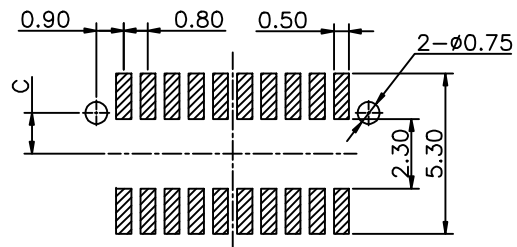
Table:

| F/M ASSEM HEIGHT | PART NO. | H | H1 | C |
|------------------|----------------------|------|------|-------|
| 4.00H (4~25pin) | GBBC246-XXXXB001DEAX | 2.80 | 1.80 | 1.350 |
| 4.50H (4~25pin) | GBBC241-XXXXB001DEAX | 3.30 | 1.80 | 1.350 |
| 5.00H (4~25pin) | GBBC242-XXXXB001DEAX | 3.80 | 1.80 | 1.350 |
| 5.50H (4~25pin) | GBBC243-XXXXB001DEAX | 4.30 | 2.30 | 1.350 |
| 6.00H (4~25pin) | GBBC244-XXXXB001DEAX | 4.80 | 2.30 | 1.350 |
| 6.50H (4~25pin) | GBBC245-XXXXB001DEAX | 5.30 | 2.30 | 1.350 |
| 7.00H (4~25pin) | GBBC247-XXXXB001DEAX | 5.30 | 2.30 | 1.250 |

Specifications
 Current Rating:0.5Amp
 Insulation Resistance:500MΩMin.
 Dielectric Withstanding Voltage:200VAC
 Contact Resistance:20mΩMax.
 Operating Temperature:-40°C to +105°C
 Materials
 Contact Material:Phosphor Bronze
 Insulator Material:High Temperature Thermoplastic, UL 94V-0 Nylon 9T or the equivalent material
 All materials must meet Greenconn hazardous substances control standards.



Recommended P.C.Board Layout
 (Tolerance:±0.05)



Ordering Information

GBBC2XX - XX XX B XXX X E A X

Plastic specifications
 1=Single row
 2=Dual row
 3=Tripe row
 4=Quadruple

Water code
 See Table

Positioning column information
 A=No locating post
 B=Round post

Pin length
 See the drawing

Color
 1=Black
 2=White
 3=Yellow
 E=Beige

Packing code
 C=Tube
 D=Tape&Reel
 G=Acetate Tape+Tube
 H=Acetate Tape+Tape&Reel

No. of Pins per Row
 04~25

Plating code
 01=Tin
 02=Gold Flash
 05=Gold Flash/Tin
 22=Matte Tin

Contact Material
 A/S/K/T=Phosphor Bronze

Insulator Material
 C=LCP
 D=Nylon 9T

| No. of PIN/ROW | Dimension Information | | | |
|----------------|-----------------------|-------|-------|-------|
| | M | N | L | L1 |
| 04 | 2.40 | 4.20 | 5.10 | 3.60 |
| 05 | 3.20 | 5.00 | 5.90 | 4.40 |
| 06 | 4.00 | 5.80 | 6.70 | 5.20 |
| 07 | 4.80 | 6.60 | 7.50 | 6.00 |
| 08 | 5.60 | 7.40 | 8.30 | 6.80 |
| 09 | 6.40 | 8.20 | 9.10 | 7.60 |
| 10 | 7.20 | 9.00 | 9.90 | 8.40 |
| 11 | 8.00 | 9.80 | 10.70 | 9.20 |
| 12 | 8.80 | 10.60 | 11.50 | 10.00 |
| 13 | 9.60 | 11.40 | 12.30 | 10.80 |
| 14 | 10.40 | 12.20 | 13.10 | 11.60 |
| 15 | 11.20 | 13.00 | 13.90 | 12.40 |
| 16 | 12.00 | 13.80 | 14.70 | 13.20 |
| 17 | 12.80 | 14.60 | 15.50 | 14.00 |
| 18 | 13.60 | 15.40 | 16.30 | 14.80 |
| 19 | 14.40 | 16.20 | 17.10 | 15.60 |
| 20 | 15.20 | 17.00 | 17.90 | 16.40 |
| 21 | 16.00 | 17.80 | 18.70 | 17.20 |
| 22 | 16.80 | 18.60 | 19.50 | 18.00 |
| 23 | 17.60 | 19.40 | 20.30 | 18.80 |
| 24 | 18.40 | 20.20 | 21.10 | 19.60 |
| 25 | 19.20 | 21.00 | 21.90 | 20.40 |

格稜股份有限公司
Greenconn Corporation

| GENERAL TOLERANCE | |
|-------------------|-------------|
| X.' ± 5.0' | X. ± 0.30 |
| .X' ± 3.0' | .X ± 0.25 |
| .XX' ± 2.0' | .XX ± 0.15 |
| .XXX' ± 1.0' | .XXX ± 0.10 |

| | |
|------------|-------|
| DESIGNED: | DATE: |
| CHECKED: | DATE: |
| CO SIGEND: | DATE: |
| APPROVED: | DATE: |

DWG. NO.
 GBBC2XX-CBXX

PART NO.
 GBBC2XX-XXXX BXXX XEAX

TITLE.
 0.8 PITCH MALE BOARD TO BOARD SMT TYPE

1 2 3 4 5 6 7 8 9