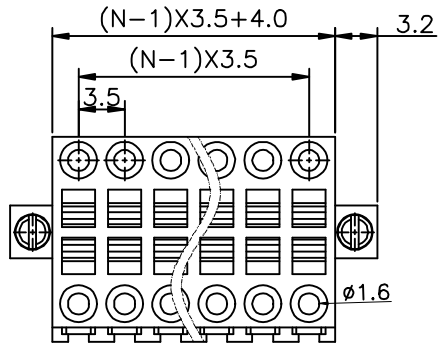
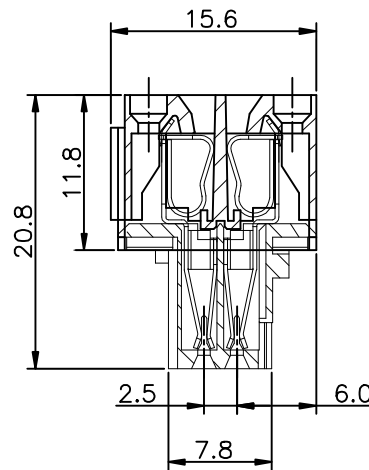
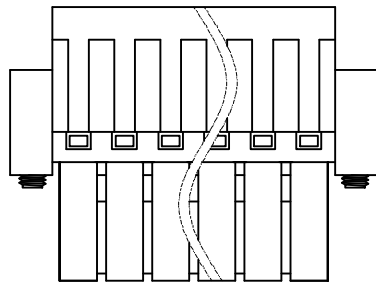


1 2 3 4 5 6 7 8 9

F
E
D
C
B
A



N=Number of contacts



Specifications
 Voltage rating: 300VAC
 Current rating: 12 Amps/way max
 Contact resistance: 20mΩ(max)
 Insulation resistance: 5000MΩ/1000V
 Withstanding Voltage:2500VAC(1min)Test time:60sec/1pcs
 Wire range: 16-24AWG
 Mechanical:
 Torque:/
 Operating temperature:-40°C to+105°C
 Materials
 Contact Material:Brass
 Insulator Material: UL 94V-0 PA66
 All materials must meet GREENCONN hazardous substances control standards.

Ordering Information

CXZZ202 - XX XX A 010 E X B X

No.of Pins Per Row 02~24 Standard Plating 01=Tin Color 1=Black 6=Grey 7=Blue A=Orange G=Green Standard Packing R=Cartons



Website:www.greenconn.com
 E-mail:sales@greenconn.com

REV.	UNIT.	SCALE.
A	mm	1:1

3RD.ANG
 PROJ.

 PAGE. 1/1

GENERAL TOLERANCE	
X.±5.0'	X.±0.50
.X'±3.0'	.X±0.30
.XX'±2.0'	.XX±0.20
.XXX'±1.0'	.XXX±/

DESIGNED:
 CHECKED:
 APPROVED:

DATE:
 DATE:
 DATE:

DWG. NO.
 CXZZ202-CA010EB
 PART NO.
 CXZZ202-XXXXA010EXBX

TITLE.
 Pitch3.5mm-series-with flange

1 2 3 4 5 6 7 8 9