

1 2 3 4 5 6 7 8 9

F

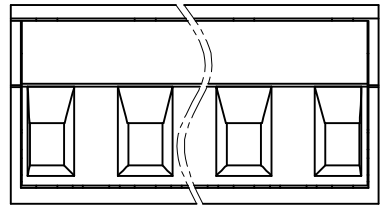
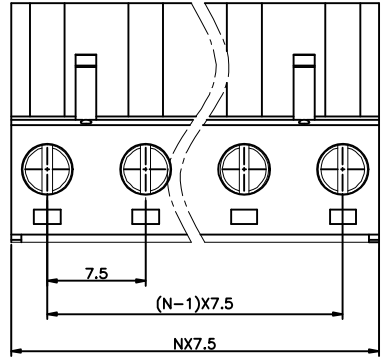
E

D

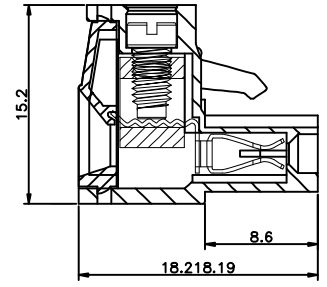
C

B

A



N=Number of contacts



Specifications
 Voltage rating:300VAC
 Current rating:16 Amps/way max
 Contact resistance: 20mΩ(max)
 Insulation resistance: 5000MΩ/1000V
 Withstanding Voltage: 2500VAC(1min)
 Test time:60sec/1pcs
 wire range: 12-26AWG
Mechanical:
 Torque:5.0kgf.cm/M3
 Operating temperature:-40°C to+105°C
Materials
 Contact Material:Brass
 Insulator Material: UL 94V-0 PA66
 All materials must meet GREENCONN hazardous substances control standards.

Ordering Information

C XZZ135 - XX XX A 001 E X B X

No. of Pins per Row 02~24 Standard Plating 01=Tin Color 1=Black 6=Gray 7=Blue G=Green Standard Packing R=Carton

<p>Website:www.greenconn.com E-mail:sales@greenconn.com</p>	3RD.ANG PROJ. 	GENERAL TOLERANCE X:±5.0' X.±0.50 .X'±3.0' .X±0.30 .XX'±2.0' .XX±0.20 .XXX'±1.0' .XXX±/		DESIGNED:	DATE:	DWG. NO. CXZZ135-CA001EB	TITLE. Pitch 7.5mm-series
		REV. A	UNIT. mm	SCALE. 1:1	PAGE. 1/1		

M9

1 2 3 4 5 6 7 8 9

F

E

D

C

B

A