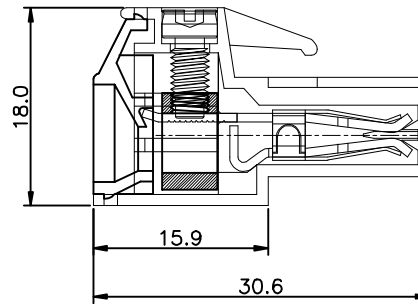


N=Number of contacts



Specifications
 Voltage rating:300VAC
 Current rating:42 Amps/way max
 Contact resistance: 20mΩ(max)
 Insulation resistance: 5000MΩ/1000V
 Withstanding Voltage: 2500VAC(1min) Test time:60sec/1pcs
 Wire range:8-24AWG
 Mechanical:Torque: 8.0kgf.cm/M3.5
 Operating temperature:-40°C to +105°C
Materials
 Contact Material:Brass
 Insulator Material: UL 94V-0 PA66
 All materials must meet GREENCONN hazardous substances control standards.

Ordering Information

CXZZ127 - XX XX A 004 E X B X

No. of Pins Per Row 02~24 Standard Plating 01=Tin Color 1=Black 6=Grey 7=Blue C=Green Standard Packing R=Cartons



Website:www.greenconn.com
 E-mail:sales@greenconn.com

REV. A UNIT. mm SCALE. 1:1

3RD.ANG PROJ.
 PAGE. 1/1

GENERAL TOLERANCE	
X.±5.0'	X.±0.50
.X'±3.0'	.X±0.30
.XX'±2.0'	.XX±0.20
.XXX'±1.0'	.XXX±/

DESIGNED:
 CHECKED:
 APPROVED:

DATE:
 DATE:
 DATE:

DWG. NO.
 CXZZ127-CA004EB
 PART NO.
 CXZZ127-XXXXA004EXBX

TITLE.
 Pitch7.62mm-With flange series