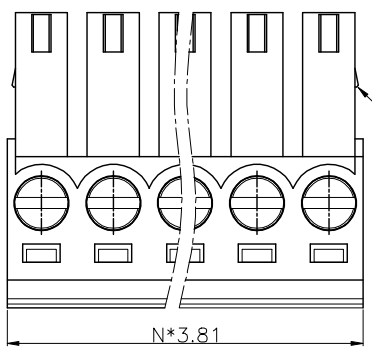


1 2 3 4 5 6 7 8 9

F

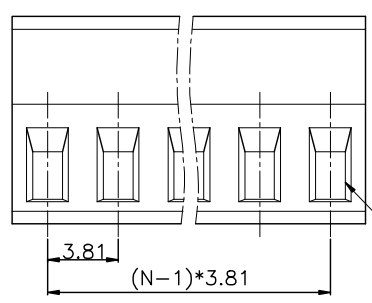


2p to 6p with wedge, above 7p without wedge (including 7p)

$N \times 3.81$

E

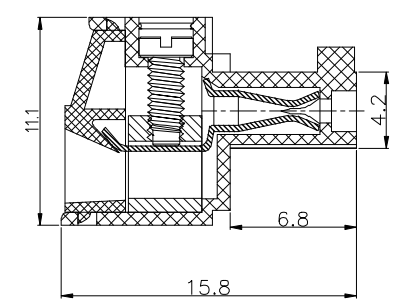
D



N=Number of contacts

$.8 \times 2.8$

3.81
 $(N-1) \times 3.81$



15.8

Specifications
 Voltage rating: 300VAC
 Current rating: 12 Amps/way max
 Contact resistance: 20mΩ(max)
 Insulation resistance: 5000MΩ/1000V
 Withstanding Voltage: 2500VAC(1min)
 Test time: 60sec/1pcs
 wire range: 16-24AWG
Mechanical:
 Torque: 2.5kgf.cm/M2
 Operating temperature: -40°C to +105°C
Materials
 Contact Material: Brass
 Insulator Material: UL 94V-0 PA66
 All materials must meet GREENCONN hazardous substances control standards.

Ordering Information

C XZZ106 - XX XX A 005 E X Z X

No. of Pins per Row 02~24 Standard Plating 01=Tin Color 1=Black Standard Packing R=Carton

B

A

<p>Website: www.greenconn.com E-mail: sales@greenconn.com</p>		3RD.ANG PROJ. 	GENERAL TOLERANCE		DESIGNED:	DATE:	DWG. NO. CXZZ106-CA5EZ	TITLE. Pitch 3.81mm-seriec
			X: ±5.0'	X: ±0.50				
REV. A	UNIT. mm	SCALE. 1:1	XX' ±3.0'	.X ±0.30	APPROVED:	DATE:	PART NO. CXZZ106-XXXXA005EXZX	
			.XX' ±2.0'	.XX ±0.20				
			.XXX ±1.0'	.XXX ±/				

1 2 3 4 5 6 7 8 9