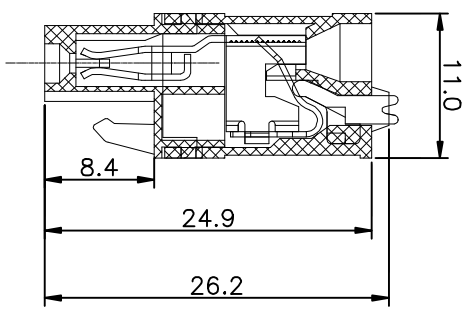
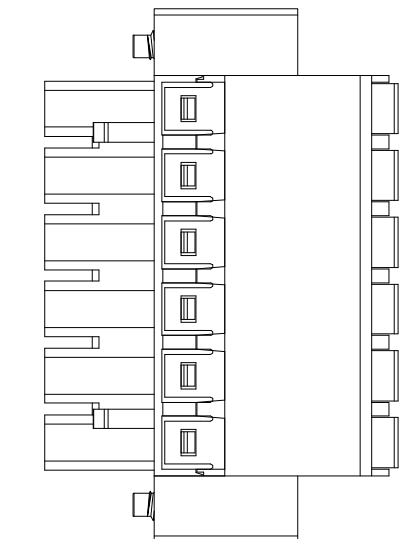


N=Number of contacts



**Specifications**  
 Voltage rating:300VAC  
 Current rating: 16 Amps/row max  
 Contact resistance: 20mΩ(max)  
 Insulation resistance: 5000MΩ/1000V  
 withstanding Voltage: 2500VA(1min) Test time:60sec/1pcs  
 Wire range:12-26AWG  
 Mechanical:  
 Torque: /  
 Operating temperature:-40°C to+105°C  
 Materials  
 Contact Material:Brass  
 Insulator Material: UL 94V-0 PA66  
 All materials must meet GREENCONN hazardous substances control standards.

### Ordering Information

CXMZ101 - XX XX A 013 E X B X  
 No. of Pins Per Row 02~24 Standard Pigtailing 01=1in  
 Color 7=Blue G=Green  
 Standard Packing R=Cartons

|   |               |                   |             |           |       |                      |                                |
|---|---------------|-------------------|-------------|-----------|-------|----------------------|--------------------------------|
| <br>Website: www.greenconn.com<br>E-mail: sales@greenconn.com | 3RD ANG PROJ. | GENERAL TOLERANCE |             | DESIGNED: | DATE: | DWG. NO.             | TITLE:                         |
|   | <br>PAGE: 1/1 | X: ±5.0'          | X: ±0.50    | CHECKED:  | DATE: | CXMZ101-CA013EB      | Pitches: 5.08mm-series (加耳扣插接) |
| REV. A  | UNIT: mm      | SCALE: 1:1        | .X: ±3.0'   | APPROVED: | DATE: | PART NO.             |                                |
|   |               |                   | .XX: ±2.0'  |           |       | CXMZ101-XXXXA013EXBX |                                |
|   |               |                   | .XXX: ±1.0' |           |       |                      |                                |
|   |               |                   | .XXX±/      |           |       |                      |                                |