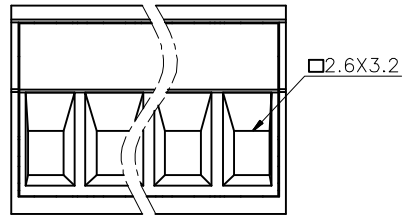
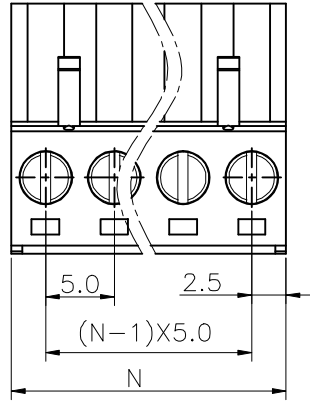
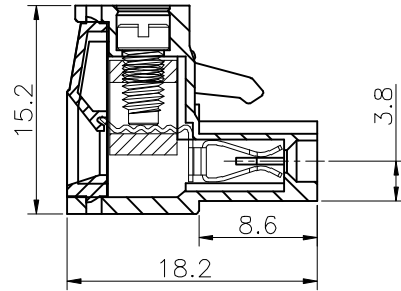


1 2 3 4 5 6 7 8 9

F
E
D
C
B
A



N=Number of contacts



Specifications
 Voltage rating:300VAC
 Current rating:16 Amps/way max
 Contact resistance: 20mΩ(max)
 Insulation resistance: 5000MΩ/1000V
 Withstanding Voltage: 2500VAC(1min)
 Test time:60sec/1pcs
 wire range: 12-26AWG
 Mechanical:
 Torque:5.0kgf.cm/M3
 Operating temperature:-40°C to+105°C
 Materials
 Contact Material:Brass
 Insulator Material: UL 94V-0 PA66
 All materials must meet GREENCONN
 hazardous substances control standards.

Ordering Information

C XLZ104 - XX XX A 002 E X Z X
 No. of Pins per Row 02~24 Standard Plating 01=Tin Color 1=Black 6=Grey 7=Blue G=Green Standard Packing R=Carton

格稜股份有限公司
Greenconn Corporation

REV. 01 UNIT. mm SCALE. 1:1 PAGE. 1/1

GENERAL TOLERANCE	
X. ±2.0	X. ±0.50
.X' ±/	.X ±0.30
.XX' ±/	.XX ±0.20
.XXX' ±/	.XXX ±/

DESIGN:	DATE:
CHECKED:	DATE:
AUDITED:	DATE:

DWG. NO. CXLZ104-CA2EZ
PART NO. CXLZ104-XXXXA002EXZX

TITLE. pitch 5.0mm - series

1 2 3 4 5 6 7 8 9