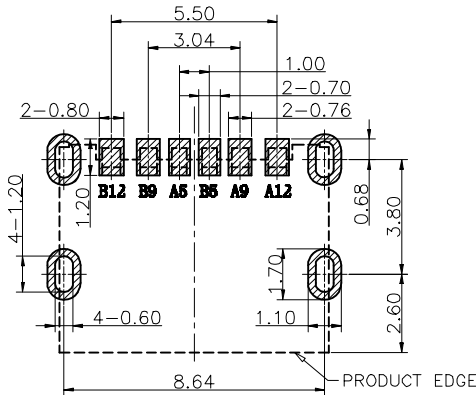
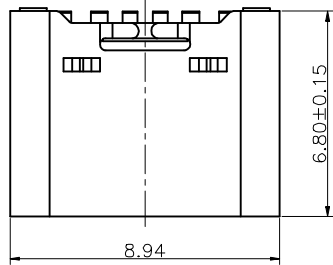


1 2 3 4 5 6 7 8 9

F



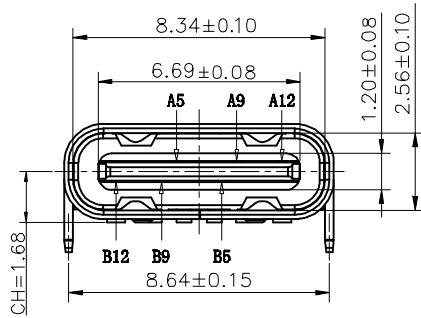
**SPECIFICATION:**  
 CURRENT RATING: 3.0A MAX  
 VOLTAGE: 100 VAC  
 TEMPERATURE RANGE: -30 °C ~ 85 °C  
 CONTACT RESISTANCE: 40 MILLIONHM MAX  
 INSULATION RESISTANCE: 100 MEGOHMS MIN.  
 INSERTION FORCE : 5N~20N  
 UNMATING FORCE: 8N~20N  
 DURABILITY: 10000 CYCLES

**MATERIAL:**  
 HOUSING:HIGH TEMPERATURE PLASTIC  
 TERMINAL: COPPER ALLOY(C2680)  
 SHELL:: STAINLESS STEEL  
 LATCH: STAINLESS STEEL  
 All materials must meet Greenconn hazardous substances control standards.

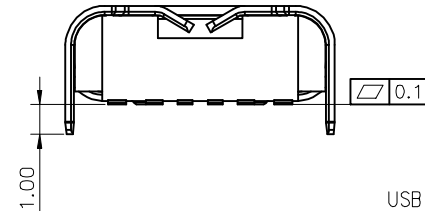
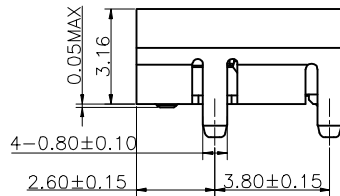
E

F

E



RECOMMEND P.C.B LAYOUT  
 TOLERANCE UNSPECIFIED ±0.05mm

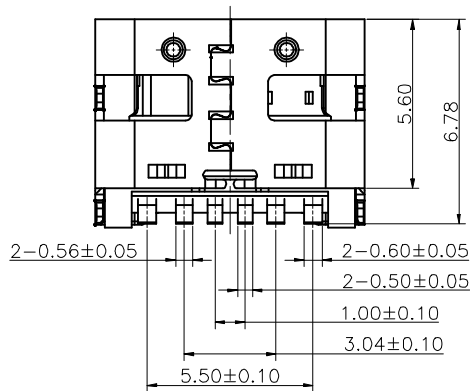


D

D

C

C

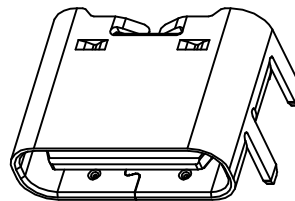


USB TYPE C PIN ASSIGNMENTS

PIN NUMBER	SIGNAL NAME	PIN NUMBER	SIGNAL NAME
A5	CC1	B12	GND
A9	VBUS	B9	VBUS
A12	GND	B5	CC2

B

B



### Ordering Information

C UZD196 - 06 XX A 001 X X B X

No. of Pins: 06  
 Standard Plating: 02=Gold Flash  
 Material: C=LCP, D=NYLON 9T  
 Color: 1=Black  
 Standard Packing: D=Tape&Reel, Selective Packing, B=Tray

A

A



3RD.ANG PROJ.  
 1/1

GENERAL TOLERANCE	
X'±5.0'	X.±/
.X'±3.0'	.X±0.35
.XX'±2.0'	.XX±0.25
.XXX'±1.0'	.XXX±0.15

DESIGNED:	DATE:
CHECKED:	DATE:
APPROVED:	DATE:

DWG. NO.  
 CUZD196-CA001XB  
 PART NO.  
 CUZD196-06XXA001XXBX

TITLE.  
 TYPE CF 6P单排 SMT CONN(跨长1.0)新款

REV. 01 UNIT. mm SCALE. 1:1 PAGE. 1/1

1 2 3 4 5 6 7 8 9