

1 2 3 4 5 6 7 8 9

F

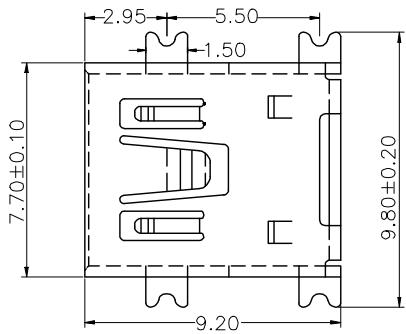
E

D

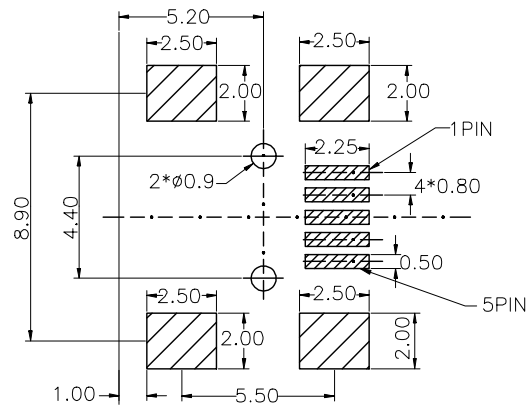
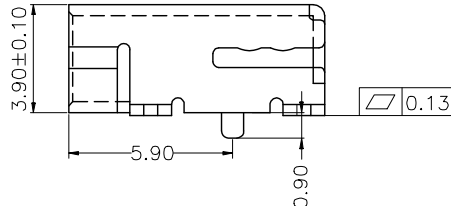
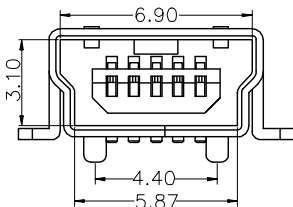
C

B

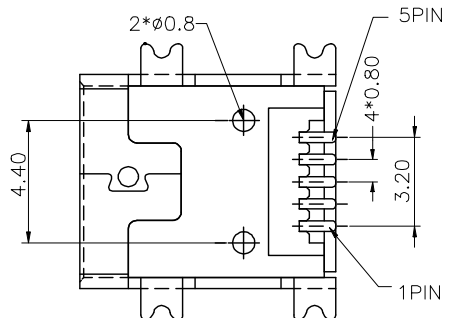
A



Specifications  
 Current Rating:1.0Amp  
 Voltage Rating:30V DC  
 Insulation Resistance:100MΩ Min.  
 Dielectric Withstanding Voltage:300V AC  
 At Sea Level  
 Contact Resistance:50mΩ Max.  
 Materials  
 Contact Material:Phosphor Bronze  
 Insulator Material:High Temperature  
 Thermoplastic, UL 94V-0 LCP  
 All materials must meet GREENCONN  
 hazardous substances control standards.



RECOMMENDED PCB LAYOUT



### Ordering Information

C UZD181 - 05 XX B 002 C X S X

No. Of Pins: 05  
 Standard Plating: 05=Gold Flash/Tin  
 Color: 1=Black  
 Standard Packing: H=Mylar+Tape&Reel  
 Selective Packing: D=Tape&Reel

**Greenconn**  
 Website: www.greenconn.com  
 E-mail: sales@greenconn.com

REV. 01	UNIT. mm	SCALE. 1:1
---------	----------	------------

3RD.ANG PROJ. 	GENERAL TOLERANCE	
	X.±5.0'	X.±0.35
	.X'±3.0'	.X±0.30
	.XX'±2.0'	.XX±0.15
PAGE. 1/1	.XXX'±1.0'	.XXX±0.10

DESIGNED:	DATE:
CHECKED:	DATE:
APPROVED:	DATE:

DWG. NO. CUZD181-CB002CS
PART NO. CUZD181-05XXB002CXSX

TITLE. MINI USB 5PF SMT 3B型 (1.0柱, 雙卡點)
---

1 2 3 4 5 6 7 8 9