

F

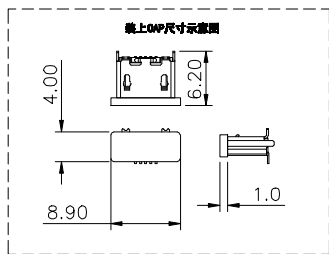
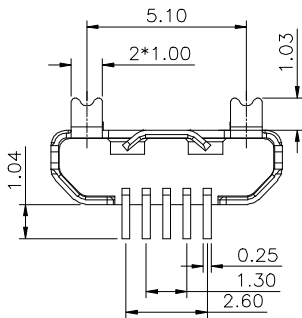
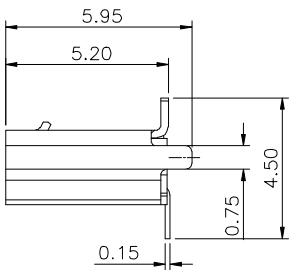
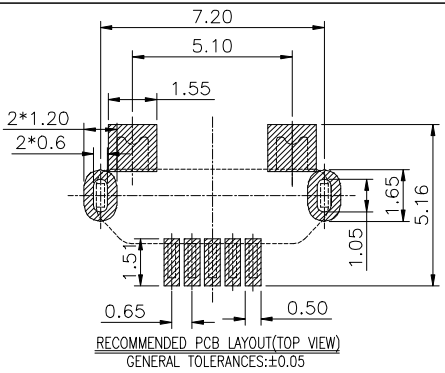
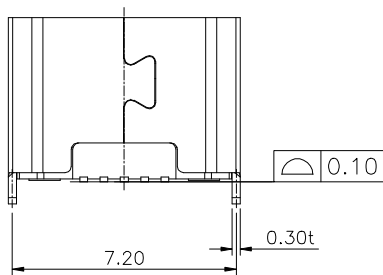
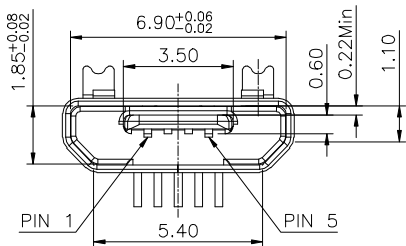
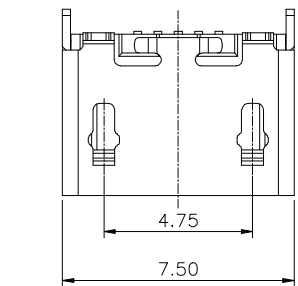
E

D

C

B

A



SPECIFICATION:
 1 CURRENT
 RATING:0.5A(2.3.4CONTACT)/1.8A(1.5CONTACT) MAX.
 2 VOLTAGE: 30 VAC
 3 TEMPERATURE RANGE: -30 °C ~ 85 °C
 4 CONTACT RESISTANCE: 30 MILLIONHM MAX.
 5 DIELECTRIC WITHSTANDING VOLTAGE: 250 VAC r.m.s
 6 INSULATION RESISTNACE: 100 MEGOHMS MIN
 7. DURABILITY: 10,000 CYCLES
 Materials
 Contact Material:Brass
 Insulator Material:High Temperature Thermoplastic, UL 94V-0 LCP(Nylon) or the equivalent material
 All materials must meet GREENCONN hazardous substances control standards.

Ordering Information

C UZC116 - 05 XX F 001 C X Z X
 Standard Plating 02=Gold Flash
 Color 1=Black
 Standard Packing F=(Products+Cap)T&R

格菱股份有限公司
Greenconn Corporation

REV. 01	UNIT. mm	SCALE. 1:1	PAGE. 1/1	
---------	----------	------------	-----------	--

GENERAL TOLERANCE	
.X 停	.X ±
.X 停	.X?.30
.XX 停	.XX?.25
.XXX 停	.XXX?.15

DESIGNED:	DATE:
CHECKED:	DATE:
APPROVED:	DATE:

DWG. NO.	CUZC116-CF1CZ
PART NO.	CUZC116-05XXF001CXZX

TITLE.	MICRO USB 5P 直立式 SMT
--------	----------------------