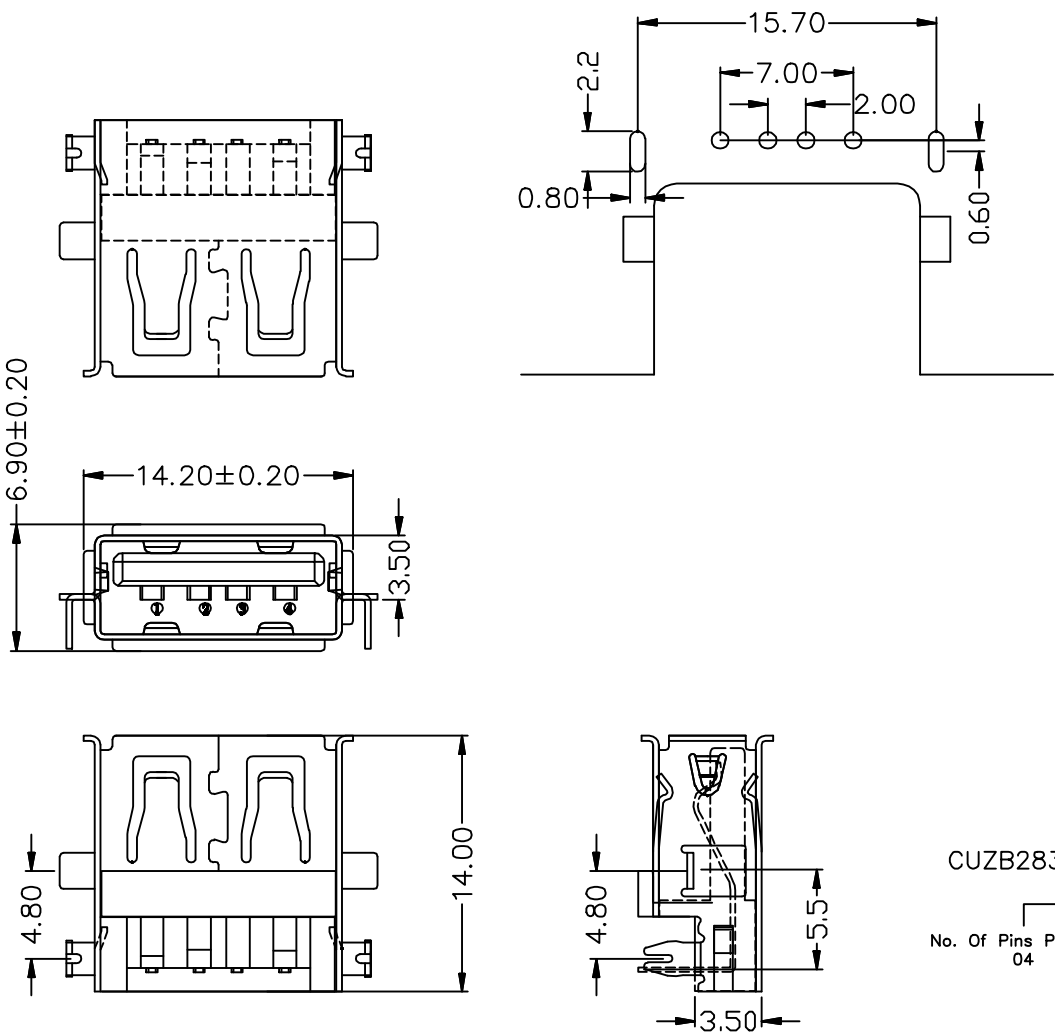


1 2 3 4 5 6 7 8 9

F
E
D
C
B
A



Specifications:
 Electrical:
 Current Rating:1.5A/contact terminal
 Voltage Rating:30V DC
 Contact Resistance:30 milliohms MAX
 Dielectric Withstanding Voltage:500 V AC AT Sea Level
 Insulation Resistance:1000MEGA ohms MIN
 Mechanical:
 Connector Mate and Unmate Force
 Mate force:3.57kgf(MAX)
 Unmate force:1.02kgf(MIN)
 Terminal Retention:1.0kgf(MIN)
 Materials
 Housing:Hing Temperature Thermoplastics,
 Contact:Copper Alloy C2680
 Shell:Copper Alloy C2680/SPCC

Ordering Information

CUZB283 - XX XX A 001 C X B X
 No. Of Pins Per Row 04 Standard Plating 05=Gold Flash/Tin Color 1=Black Standard Packing B=Tray

 Website:www.greenconn.com E-mail:sales@greenconn.com			3RD.ANG PROJ.	GENERAL TOLERANCE		DESIGNED: CHECKED: APPROVED:	DATE: DATE: DATE:	DWG. NO.	TITLE.
				X.±5.0'	X.±0.30			CUZB283-CA001CB	
REV.	UNIT.	SCALE.	PAGE. 1/1	.X'±3.0'	.X±0.25	DATE: DATE: DATE:	PART NO.		
01	mm	1:1		.XX'±2.0'	.XX±0.15		CUZB283-XXXXA001CXBX		
				.XXX'±1.0'	.XXX±0.10				

1 2 3 4 5 6 7 8 9