

NOTES:

1. MATERIAL: SEE "TABLE 1";
2. ELECTRICAL :
 - 2-1.CONTACT CURRENT RATING :
5A(VBUS PIN 1.5A/PIN),
5A(GND PIN 1.25A/PIN MAX),0.25A/PIN(OTHER PIN).
 - 2-2.INSULATION RESISTANCE :
100 MEGAOHMS MIN. AT 100VDC.
 - 2-3.DIELECTRIC WITHSTANDING VOLTAGE :
100VAC MIN.
 - 2-4.LOW LEVEL CONTACT RESISTANCE :
INITIAL 40mΩ MAX.
AFTER 50mΩ MAX.
- 3.MECHANICAL CHARACTERISTICS :
 - 3-1. MATING FORCE: 5~20N.
 - 3-2. UNMATING FORCE: 8~20N(INITIAL),6~20N(AFTER 10000 CYCLES);
 - 3-3.DURABILITY : 10,000 MATING CYCLES.
 - 3-4.OPERATING TEMPERATURE :-40°C TO +80°C

TABLE 1:

NO.	NAME	QTY	MATERIAL
⑨	Waterproof Ring	1	橡胶
⑧	GLUE WATER	1	EPOXY
⑦	Shell-2	1	Stainless steel SUS304
⑥	Shell-1	1	Stainless steel SUS304
⑤	GND PLATE	1	Stainless steel SUS301
④	MID PLATE	1	Stainless steel SUS301
③	Terminal-B	12	铜镍硅合金 C18400
②	Terminal-A	12	
①	Housing	1	HIGH TEMP PA9T

Ordering Information

C UZB281 - 22 XX A 001 D X 9 X

No. of Pins 22 Standard Plating 11=Gold 15u" Color 1=Black Standard Packing D=Tape&Reel



3RD.ANG PROJ.
PAGE. 1/3

GENERAL TOLERANCE	
X'±5.0"	X.±/
.X'±3.0"	.X±0.30
.XX'±2.0"	.XX±0.25
.XXX'±1.0"	.XXX±0.15

DESIGNED:
CHECKED:
APPROVED:

DATE:
DATE:
DATE:

DWG. NO.
CUZB281-CA001
PART NO.
CUZB281-22XXA001DX9X

TITLE.
USB TYPE CF WATERPROOF
CL=0.30 沉板 1.40mm DIP TYPE

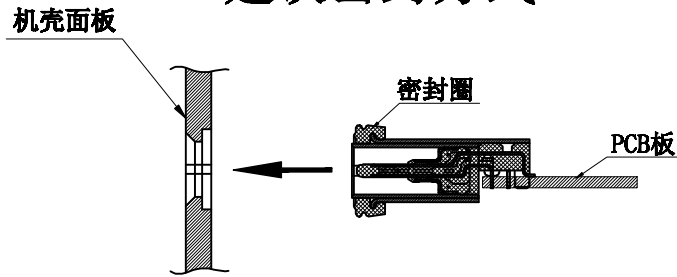
REV. A

UNIT. mm

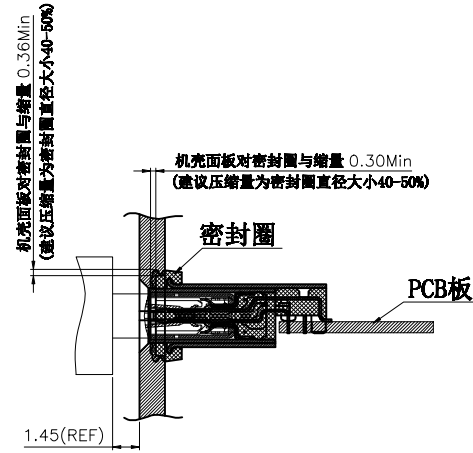
SCALE. 1:1



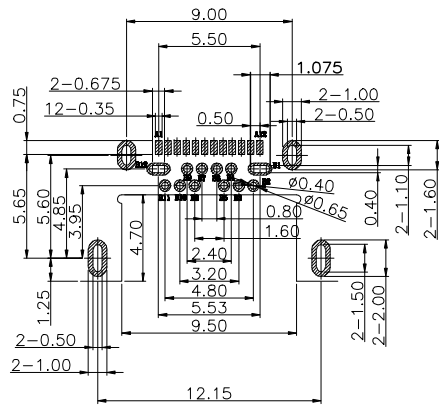
建议密封方式



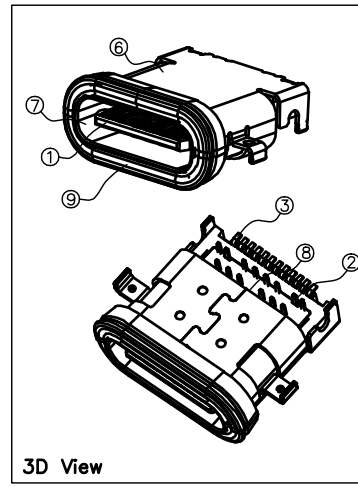
前后组装方式



组装面板后公母头对插示意图



RECOMMENDED P.C.B LAYOUT(Both sides are sample)
Tolerance:±0.05,Thickness=0.60mm



3D View

Pin	Signal Name	Mating Sequence	Pin	Signal Name	Mating Sequence
A1	GND	First	B12	GND	First
A2	SSTXp1	Second	B11	SSRXp1	Second
A3	SSTXn1	Second	B10	SSRXn1	Second
A4	V _{ms}	First	B9	V _{ms}	First
A5	CC1	Second	B8	SBU2	Second
A6	Dp1	Second	B7	Dn2	Second
A7	Dn1	Second	B6	Dp2	Second
A8	SBU1	Second	B5	CC2	Second
A9	V _{ms}	First	B4	V _{ms}	First
A10	SSRXn2	Second	B3	SSTXn2	Second
A11	SSRXp2	Second	B2	SSTXp2	Second
A12	GND	First	B1	GND	First
SHELL		GND	SHELL		GND



Website: www.greenconn.com
E-mail: sales@greenconn.com

REV. A UNIT. mm SCALE. 1:1

3RD.ANG PROJ.
PAGE. 2/3

GENERAL TOLERANCE	
X'±5.0'	X.±/
.X'±3.0'	.X±0.30
.XX'±2.0'	.XX±0.25
.XXX'±1.0'	.XXX±0.15

DESIGNED:	DATE:
CHECKED:	DATE:
APPROVED:	DATE:

DWG. NO. CUZB281-CA001
PART NO. CUZB281-22XXA001DX9X

TITLE. USB TYPE CF WATERPROOF CL=0.30 沉板1.40mm DIP TYPE