

F

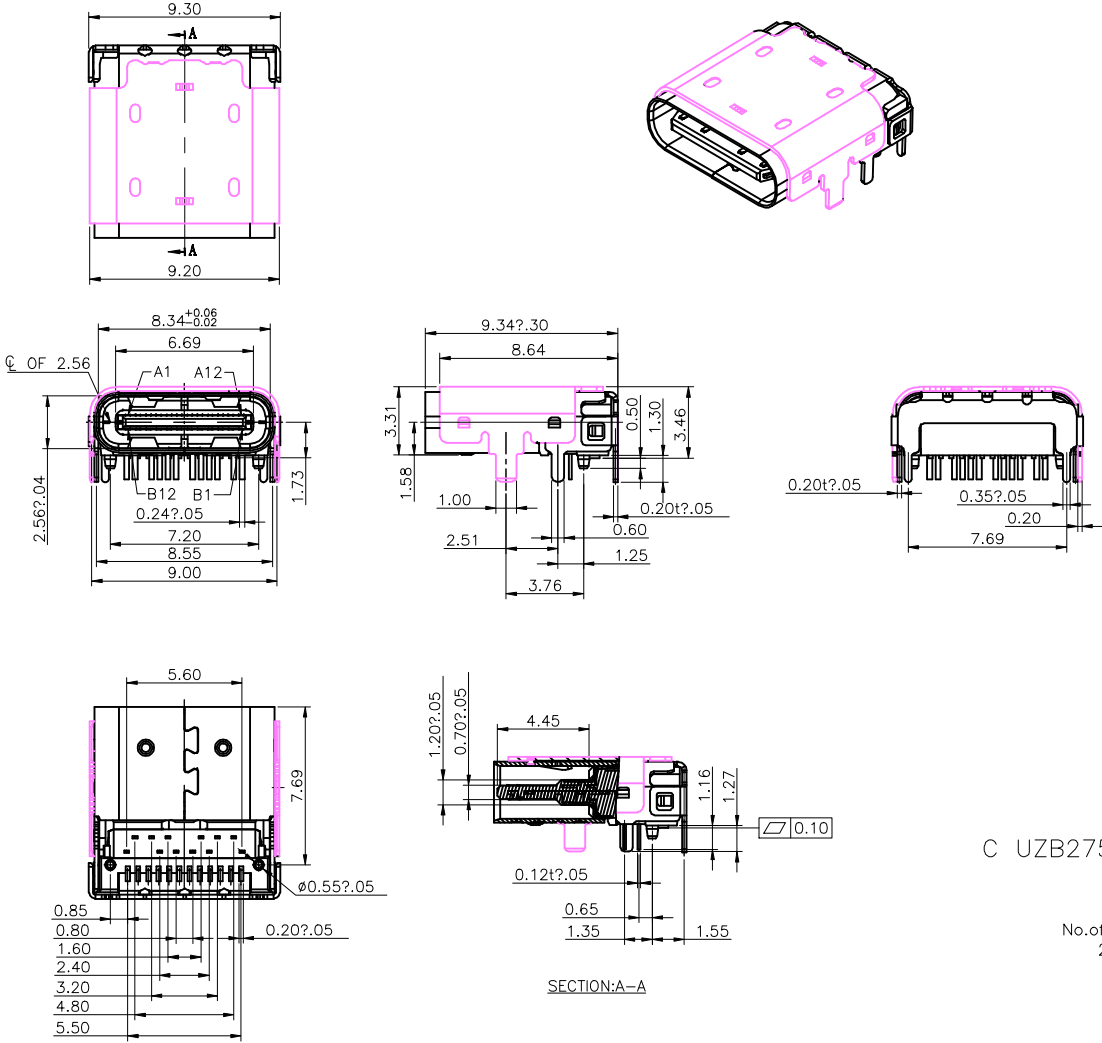
E

D

C

B

A



NOTE:

- MATERIAL SPECIFICATION:**
 - HOUSING:LCP COLOR BLACK UL94 V-0.
 - CONTACTS:COPPER ALLOY(C1814)
 - MID PLATE&SPRING: STAINLESS STEEL(SUS301)
 - FRONT SHELL&COVER: STAINLESS STEEL(SUS304)
- PLATING SPECIFICATION:**
 - CONTACTS: See part Number
 - FRONT SHELL & COVER: Ni 30u" MIN. UNDER PLATED OVER ALL.
 - MID PLATE & EMI SPRING: CLEAR ONLY
- MECHANICAL PERFORMANCE,**
 - INSERTION FORCE: 0.5~2.0kgf.
 - REMOVAL FORCE: 0.8kgf~2.0kgf.
 - DURABILITY: 10000 CYCLES.
- ELECTRICAL PERFORMANCE,**
 - CURRENT RATING:3.0A
VOLTAGE RATING:5.0V
 - LLCR:
VBUS & GND PINS AND OTHER PINS: 40mΩ/PIN MAX.
SHIELD: 50mΩ/MAX.
LLCR MAX. CHANGE OF ALL PINS: 10mΩ.
 - INSULATION RESISTANCE: 100MΩ MIN
 - DIELECTRIC WITHSTAND VOLTAGE,AC 100V FOR 1 MINUTE.
- ENVIRONMENTAL PERFORMANCE:**
OPERATING TEMPERATURE: -25°C~+85°C.

Ordering Information

C UZB275 - 24 XX B 001 C X 6 X-C8

No. of pins 24 Standard Plating 09=Gold 3u"/Gold Flash Color 1=Black Standard Packing D=Tape&Reel

Selective Plating 05=Gold Flash/Tin 14=Gold 30u"/Gold Flash

Greenconn
 Website: www.greenconn.com
 E-mail: sales@greenconn.com

3RD.ANG PROJ.
 PAGE. 1/3

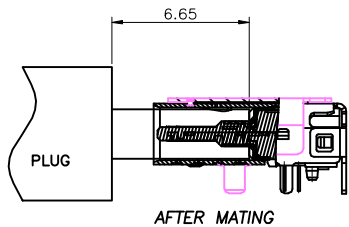
GENERAL TOLERANCE	
X' ±5.0'	X. ± /
.X' ±3.0'	.X ±0.30
.XX' ±2.0'	.XX ±0.20
.XXX' ±1.0'	.XXX ±0.10

DESIGNED:	DATE:
CHECKED:	DATE:
APPROVED:	DATE:

DWG. NO.
CUZB275-CB1C6

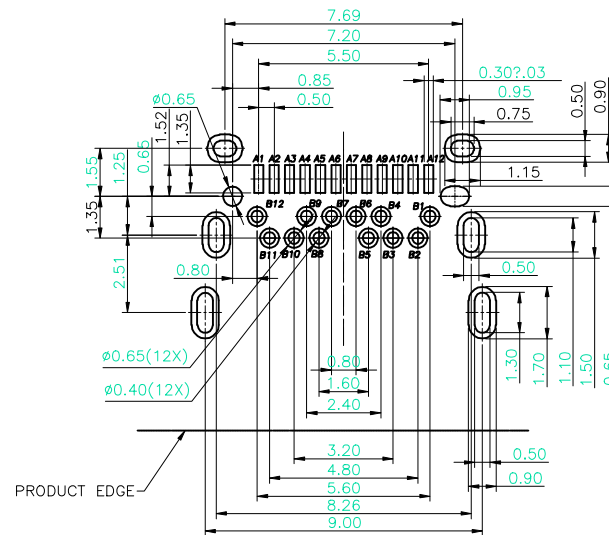
PART NO.
CUZB275-24XXB001CX6X

TITLE.
 USB CF 24PIN 前後貼
 帶上鐵殼三次成型



USB TYPE-C PIN ASSIGNMENTS

PIN NUMBER	SIGNAL NAME	PIN NUMBER	SIGNAL NAME
A1	GND	B12	GND
A2	SSTXp1	B11	SSRXp1
A3	SSTXn1	B10	SSRXn1
A4	Vbus	B9	Vbus
A5	CC1	B8	SBU2
A6	Dp1	B7	Dn2
A7	Dn1	B6	Dp2
A8	SBU1	B5	CC2
A9	Vbus	B4	Vbus
A10	SSRXn2	B3	SSTXn2
A11	SSRXp2	B2	SSTXp2
A12	GND	B1	GND



SCALE 1.5:1

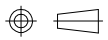
RECOMMENDED PCB LAYOUT(TOP VIEW)
THICKNESS 1.0 MM;DEFAULT TOLERANCE:±0.05



Website: www.greenconn.com
E-mail: sales@greenconn.com

REV. A UNIT. mm SCALE. 1:1

3RD.ANG PROJ.



PAGE. 2/3

GENERAL TOLERANCE

X' ±5.0"	X. ±/
.X' ±3.0"	.X ±0.30
.XX' ±2.0"	.XX ±0.20
.XXX' ±1.0"	.XXX ±0.10

DESIGNED:

DATE:

CHECKED:

DATE:

APPROVED:

DATE:

DWG. NO.

CUZB275-CB1C6

PART NO.

CUZB275-24XXB001CX6X

TITLE.

USB CF 24PIN 前插後貼
帶上鐵殼三次成型