

1 2 3 4 5 6 7 8 9

F

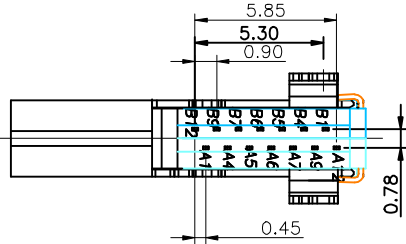
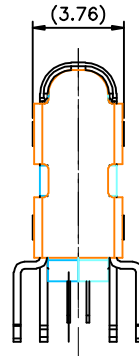
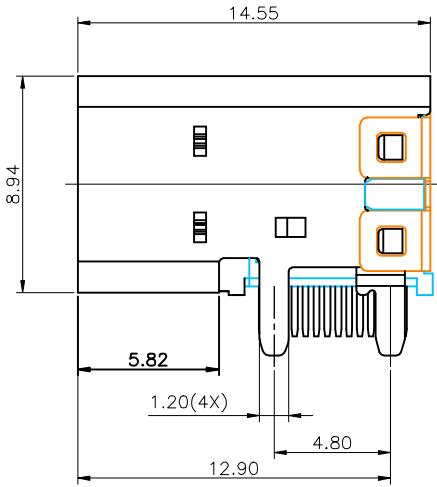
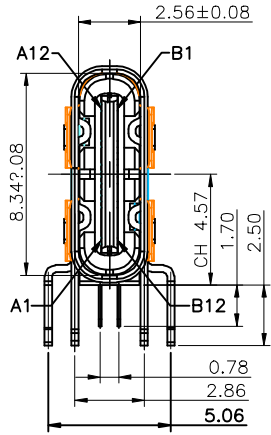
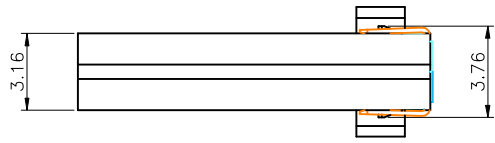
E

D

C

B

A



NOTE:
1.MATERIAL SPECIFICATION:
 1.HOUSING:HIGH TEMPERATURE RESISTANT PLASTIC,UL94 V-0.
 2.TERMINAL: COPPER ALLOY(C1814)
 3.MID PLATE: STAINLESS STEEL
 4.FRONT SHELL: STAINLESS STEEL
 5.COVER: STAINLESS STEEL
2.PLATING SPECIFICATION:
 2-1.TERMINAL: SEE PART NUMBER
 2-2.FRONT SHELL:
 Ni 30u" MIN. UNDER PLATED OVER ALL.
 2-3.MID PLATE&COVER:
 CLEAR ONLY
3.MECHANICAL PERFORMANCE,
 3-1.INSERTION FORCE: 0.5~2.0kgf.
 3-2.REMOVAL FORCE: 0.8kgf~2.0kgf.
 3-3.DURABILITY: 10000 CYCLES.
4.ELECTRICAL PERFORMANCE,
 4-1. VOLTAGE RATING:5 V DC/AC (RMS. max)
 CURRENT RATING:5 AMPS. FOR TOTAL VBUS/GND PINS;
 1.25AMPS FOR CC PIN,0.25 AMPS. FOR ALL OTHER CONTACT.
 4-2. LLCR:
 VBUS & GND PINS AND OTHER PINS: 40mΩ/PIN MAX.
 SHIELD: 50mΩ/MAX.
 LLCR MAX. CHANGE OF ALL PINS: 10mΩ.
 4-3.INSULATION RESISTANCE: 100MΩ MIN
 4-4.DIELECTRIC WITHSTAND VOLTAGE,AC 100V FOR 1 MINUTE.
5. ENVIRONMENTAL PERFORMANCE:
 OPERATING TEMPERATURE: -25°C~+85°C.

Ordering Information

C UZB273 - 14 XX A 002 D X 9 X
 No.of pins 14
 Standard Plating 09=Gold 3u"
 Selective Plating 05=Gold Flash/Tin
 Color 1=Black
 Standard Packing F=CAP+Tape&Reel
 Standard Packing D=Tape&Reel

Greenconn
 Website:www.greenconn.com
 E-mail:sales@greenconn.com

3RD.ANG PROJ.
 UNIT.
 SCALE.
 1:1
 PAGE. 1/2

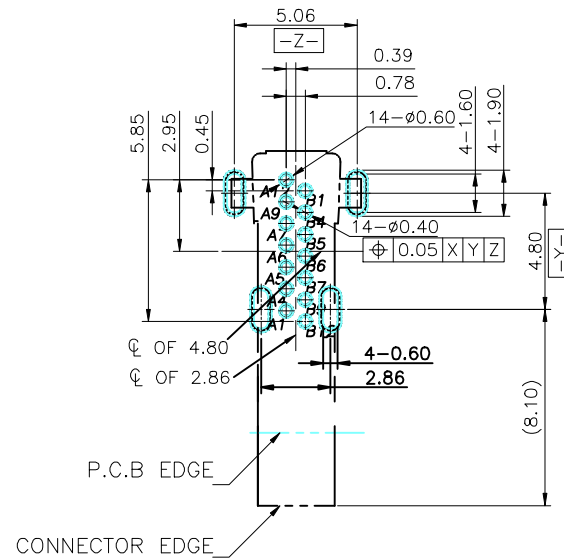
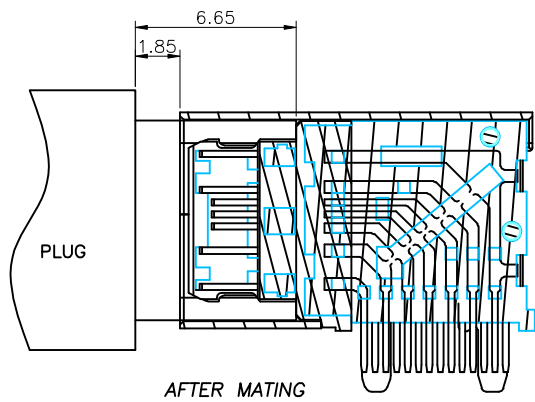
GENERAL TOLERANCE	
X'±5.0'	X.±0.50
.X'±3.0'	.X±0.30
.XX'±2.0'	.XX±0.25
.XXX'±1.0'	.XXX±0.15

DESIGNED:	DATE:
CHECKED:	DATE:
APPROVED:	DATE:

DWG. NO.
 CUZB273-CA002
 PART NO.
 CUZB273-14XXA002DX9X

TITLE.
 USB C F 14PIN FLAG TYPE

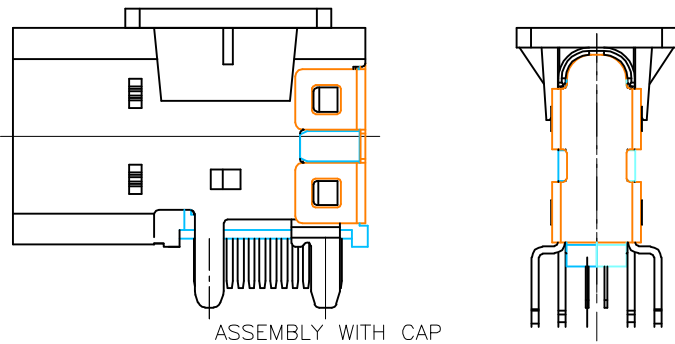
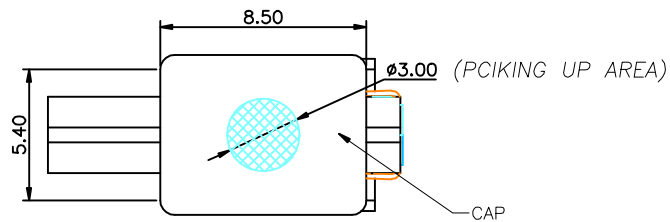
1 2 3 4 5 6 7 8 9



RECOMMENDED PCB LAYOUT(TOP VIEW)
THICKNESS 1.6 ± 0.10 MM;DEFAULT TOLERANCE: ± 0.05

USB TYPE-C PIN ASSIGNMENTS

PIN NUMBER	SIGNAL NAME	PIN NUMBER	SIGNAL NAME
A1	GND	B12	GND
A4	VBUS	B9	VBUS
A5	CC1	B7	Dn2
A6	Dp1	B6	Dp2
A7	Dn1	B5	CC2
A9	VBUS	B4	VBUS
A12	GND	B1	GND



Greenconn
Website: www.greenconn.com
E-mail: sales@greenconn.com

3RD.ANG
PROJ.
PAGE. 1/2

GENERAL TOLERANCE	
X' ± 5.0 '	X. ± 0.50
.X' ± 3.0 '	.X ± 0.30
.XX' ± 2.0 '	.XX ± 0.25
.XXX' ± 1.0 '	.XXX ± 0.15

DESIGNED:

DATE:

CHECKED:

DATE:

APPROVED:

DATE:

DWG. NO.

CUZB273-CA002

PART NO.

CUZB273-14XXA002DX9X

TITLE.

USB C F 14PIN FLAG TYPE

REV. A

UNIT. mm

SCALE. 1:1