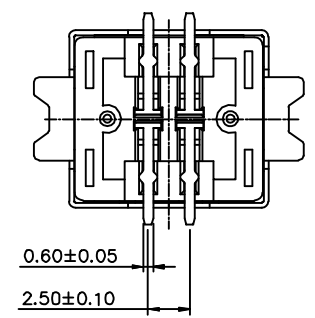
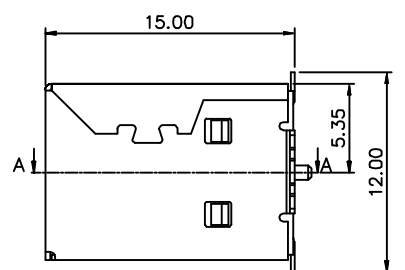
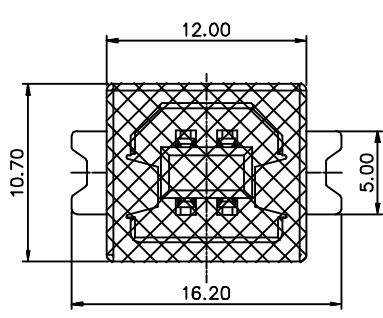


1 2 3 4 5 6 7 8 9

F

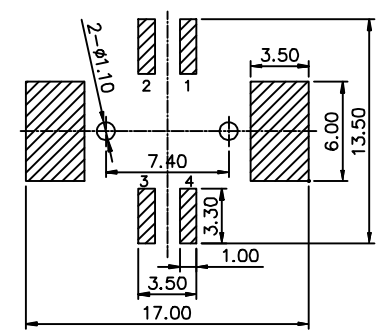
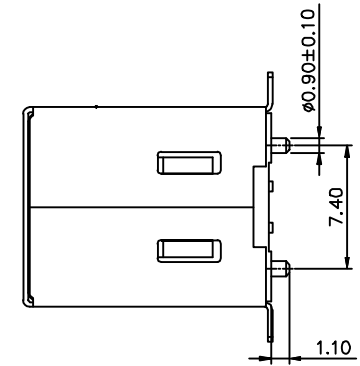
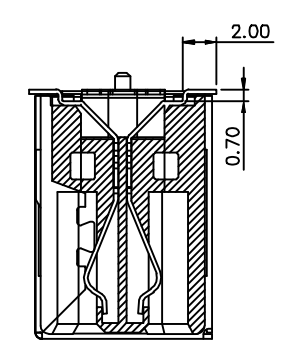


Specifications:  
 Current Rating: 1.0A AC,DC  
 Voltage Rating: 30V AC,DC  
 Contact Resistance: 20M Ohm Max  
 Insulation Resistance: 1,000M Ohm Min  
 Withstanding Voltage: 750V AC/Minute  
 Operating Temperature Range: -40°C to +105°C  
 Materials:  
 Insulator: High Temp. Plastic Nylon 9 T UL94V-0  
 Contact: Phosphor Bronze  
 Plating: See Part Number  
 Shell: Brass, Nickel Plate 30~50u"

E

D

C



PCB Layout

B

### Ordering Information

C UGC201 - 04 XX B 001 D X A X

No. of Pins: 04  
 Standard Plating: 05=Gold Flash/Tin  
 Selective Plating: 02=Gold Flash  
 Color: 1=Black, 2=White, ...  
 Standard Packing: B=Tray, Selective Packing: H=Mylara+Tape&Reel

A

**Greenconn**  
 Website: www.greenconn.com  
 E-mail: sales@greenconn.com

REV. B UNIT. mm SCALE. 1:1

3RD.ANG PROJ.		GENERAL TOLERANCE	
$\phi$	$\square$	X. 5.0'	X. ? .30
$\square$	$\square$	.X 3.0'	.X ? .25
$\square$	$\square$	.XX 2.0'	.XX ? .15
$\square$	$\square$	.XXX 1.0'	.XXX ?

DESIGNED:	DATE:
CHECKED:	DATE:
APPROVED:	DATE:

DWG. NO.	CUGC201-CB001
PART NO.	CUGC201-04XXB001DXAX

TITLE.	USB BF SMT
--------	------------

1 2 3 4 5 6 7 8 9