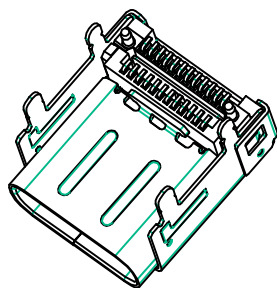
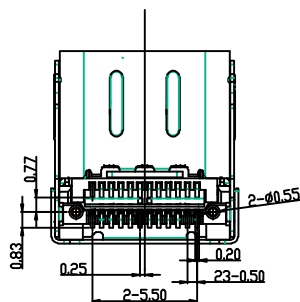
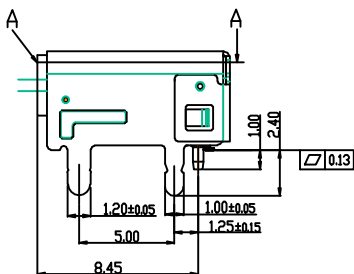
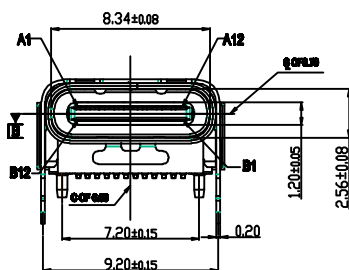


SECTION A-A



**NOTES:**

**1. MATERIAL :**

- MAIN HOUSING: HIGH TEMPERATURE
- MID PLATE: STAINLESS STEEL
- BOTTOM TERMINAL: COPPER ALLOY
- TOP TERMINAL: COPPER ALLOY
- INNER-SHELL: STAINLESS STEEL
- OUTER-SHELL: STAINLESS STEEL

**2. COPLANARITY : 0.10 Max.**

**3. ELECTRICAL CHARACTERISTICS**

- LOW LEVEL CONTACT RESISTANCE: 40mΩ Max
- INSULATION RESISTANCE: 100MΩ MIN
- DIELECTRIC WITHSTANDING VOLTAGE: 100 VAC:
- CONTACT CURRENT RATING: 5A Max

**4. MECHANICAL CHARACTERISTICS**

- INSERTION FORCE: 5~20N
- EXTRACTION FORCE: 8~20N

**5. DURABILITY: 10000 CYCLES**

Ordering Information



Website: www.greenconn.com  
E-mail: sales@greenconn.com

REV. A UNIT. mm SCALE. 1:1

3RD.ANG PROJ.  
PAGE. 1/2

GENERAL TOLERANCE	
X' ±5.0'	X. ± /
.X' ±3.0'	.X ±0.38
.XX' ±2.0'	.XX ±0.25
.XXX' ±1.0'	.XXX ±0.15

DESIGNED:	DATE:
CHECKED:	DATE:
APPROVED:	DATE:

DWG. NO.	CUAZ203-CB001
PART NO.	CUAZ203-24XXB001CX9X

TITLE.	USB TYPE C CONNECTOR CH3.40MM
--------	----------------------------------

1 2 3 4 5 6 7 8 9

F

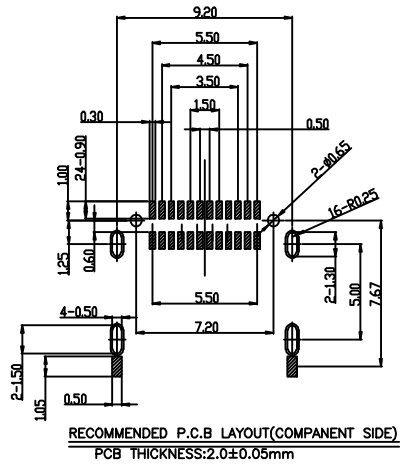
E

D

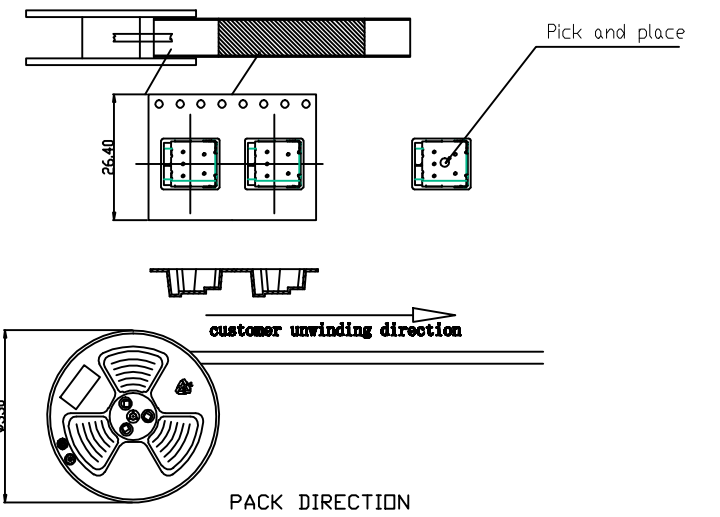
C

B

A



Pin No	Signal Name	Mating Sequence	Pin No	Signal Name	Mating Sequence
A1	GND	First	B12	GND	First
A2	TX1+	Second	B11	RX1+	Second
A3	TX1-	Second	B10	RX1-	Second
A4	Vbus	First	B9	Vbus	First
A5	CC1	Second	B8	SBU2	Second
A6	D+	Second	B7	D-	Second
A7	D-	Second	B6	D+	Second
A8	SBU1	Second	B5	CC2	Second
A9	Vbus	First	B4	Vbus	First
A10	RX2-	Second	B3	TX2-	Second
A11	RX2+	Second	B2	TX2+	Second
A12	GND	First	B1	GND	First
SHELL	GND		SHELL	GND	



**Greenconn**  
 Website: www.greenconn.com  
 E-mail: sales@greenconn.com

3RD.ANG PROJ.  
 UNIT.  
 SCALE. 1:1  
 PAGE. 2/2

GENERAL TOLERANCE	
X' ± 5.0'	X. ± /
.X' ± 3.0'	.X ± 0.38
.XX' ± 2.0'	.XX ± 0.25
.XXX' ± 1.0'	.XXX ± 0.15

DESIGNED: \_\_\_\_\_ DATE: \_\_\_\_\_  
 CHECKED: \_\_\_\_\_ DATE: \_\_\_\_\_  
 APPROVED: \_\_\_\_\_ DATE: \_\_\_\_\_

DWG. NO. CUAZ203-CB001  
 PART NO. CUAZ203-24XXB001CX9X

TITLE. USB TYPE C CONNECTOR CH3.40MM

1 2 3 4 5 6 7 8 9

F

E

D

C

B

A