

1 2 3 4 5 6 7 8 9

F

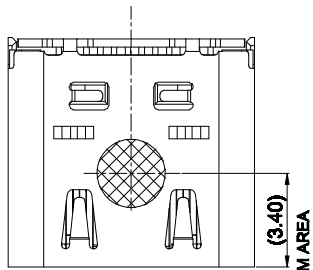
E

D

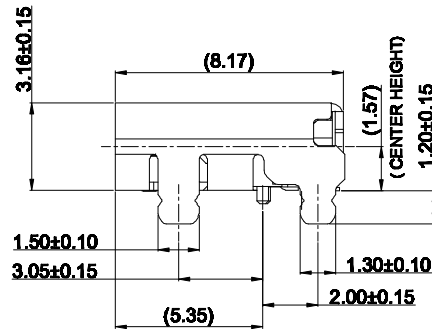
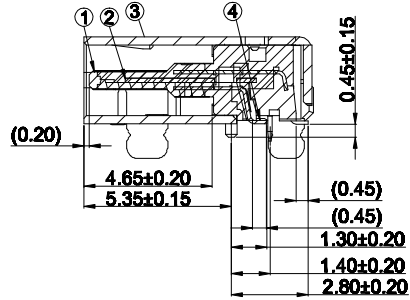
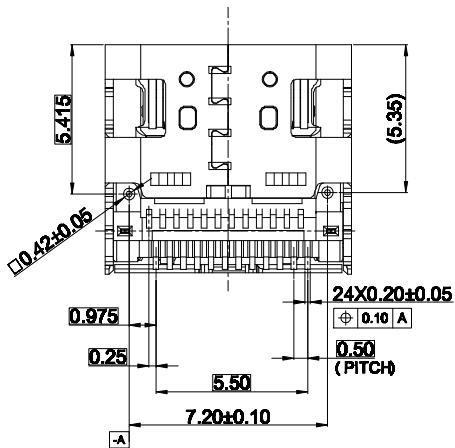
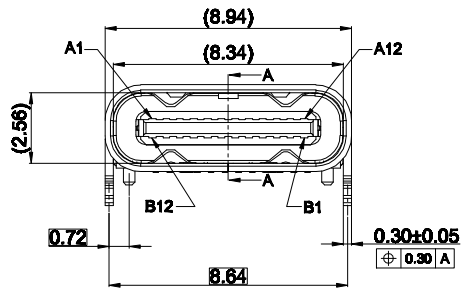
C

B

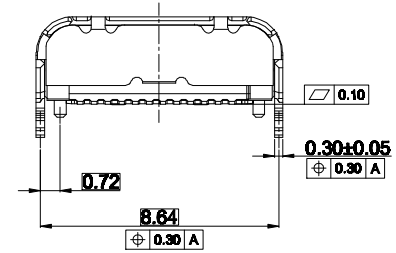
A



VACUUM AREA
(3.40)



NOTE:
SPECIFICATION:
Rated current: 5.0 A
Voltage rating: 5V AC
Contact Resistance: 40 m Ω Max.
Insulation Resistance: 100MΩ Min.
Withstanding voltage: 100 VAC/minute
Mating force: 5~20N .
Unmating force: 8~20N.
Durability Cycle: 10,000 cycle
Operating temperature: -40~+85°
All materials must meet GREENCONN hazardous substances control standards.



PIN ASSIGNMENT:

A1	A2	A3	A4	A5	A6	A7	A8	A9	A10	A11	A12
GND	TX1+	TX1-	Vbus	CC1	D+	D-	SBU1	Vbus	RX2-	RX2+	GND
GND	RX1+	RX1-	Vbus	SBU2	D-	D+	CC2	Vbus	TX2-	TX2+	GND
B12	B11	B10	B9	B8	B7	B6	B5	B4	B3	B2	B1

Ordering Information

CUAD210 - XX XX B 002 D X U X
 No. of Pins 24 Standard Plating 44=Gold 3u"/Gold Flash Color 1=Black Standard Packing D=T&R



3RD.ANG PROJ.

 PAGE. 1/2

GENERAL TOLERANCE	
X'±5.0'	X.±0.50
.X'±3.0'	.X±0.38
.XX'±2.0'	.XX±0.25
.XXX'±1.0'	.XXX±/

DESIGNED:
 CHECKED:
 APPROVED:

DATE:
 DATE:
 DATE:

DWG. NO.
 CUAD210-CB002DU
 PART NO.
 CUAD210-XXXXB002DXUX

TITLE.
 Conn USB 4.0 TYPE C 母座
 有后盖 单壳 双贴SMT 板上平贴
 L=8.17MM 铁壳脚长1.2

REV. A UNIT. mm SCALE. 1:1

1 2 3 4 5 6 7 8 9

F

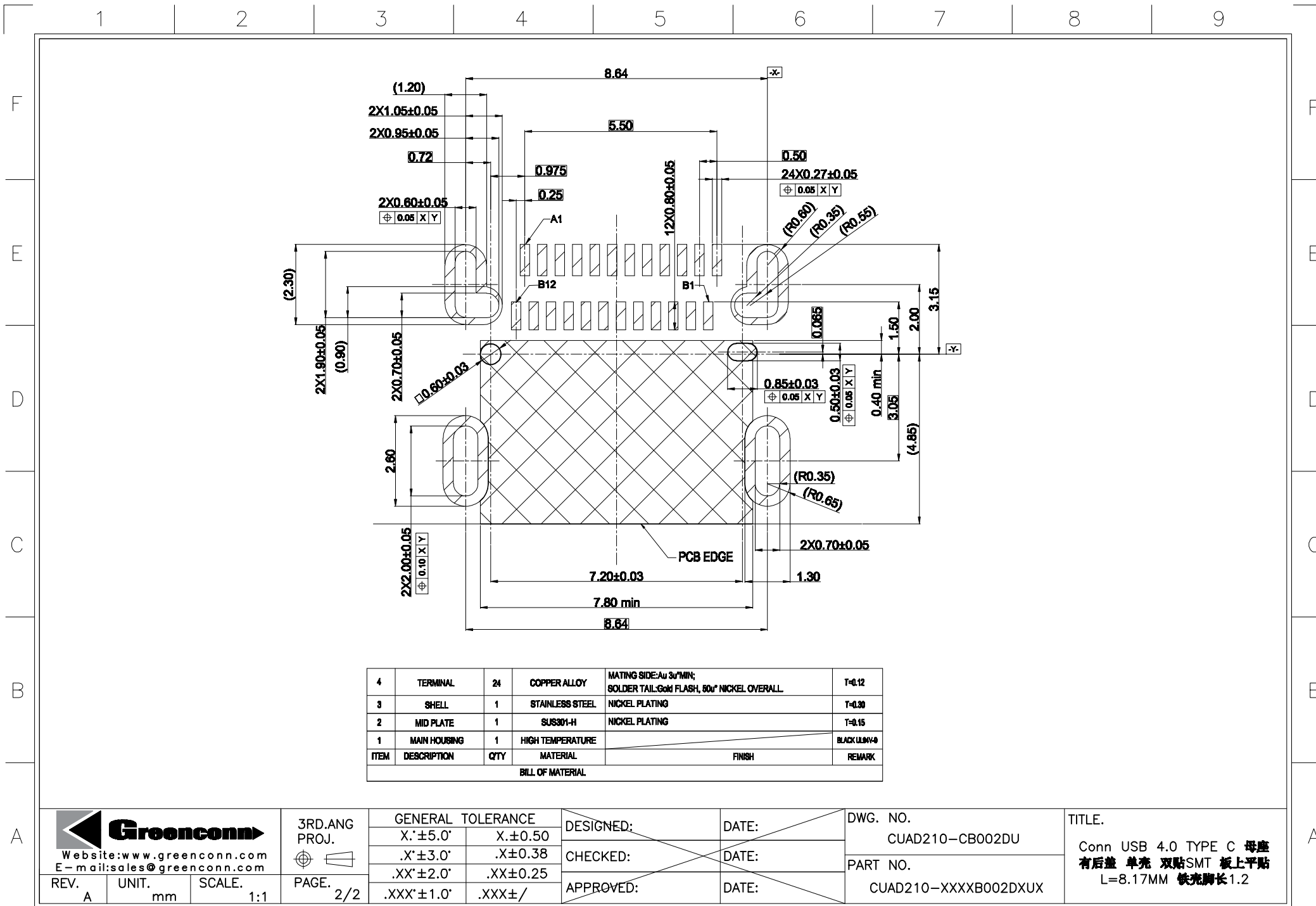
E

D

C

B

A



4	TERMINAL	24	COPPER ALLOY	MATING SIDE: Au 3μ/MIN; SOLDER TAIL: Gold FLASH, 50μ" NICKEL OVERALL	T=0.12
3	SHELL	1	STAINLESS STEEL	NICKEL PLATING	T=0.30
2	MID PLATE	1	SUS304-H	NICKEL PLATING	T=0.15
1	MAIN HOUSING	1	HIGH TEMPERATURE		BLACK UL94V0
ITEM	DESCRIPTION	QTY	MATERIAL	FINISH	REMARK
BILL OF MATERIAL					

Greenconn
 Website: www.greenconn.com
 E-mail: sales@greenconn.com

3RD.ANG
 PROJ.

 PAGE. 2/2

GENERAL TOLERANCE	
X. ±5.0°	X. ±0.50
.X' ±3.0°	.X ±0.38
.XX' ±2.0°	.XX ±0.25
.XXX' ±1.0°	.XXX ±/

DESIGNED: _____ DATE: _____
 CHECKED: _____ DATE: _____
 APPROVED: _____ DATE: _____

DWG. NO.
 CUAD210-CB002DU
 PART NO.
 CUAD210-XXXXB002DXUX

TITLE.
 Conn USB 4.0 TYPE C 插座
 有后盖 单壳 双贴SMT 板上平贴
 L=8.17MM 铁壳脚长1.2