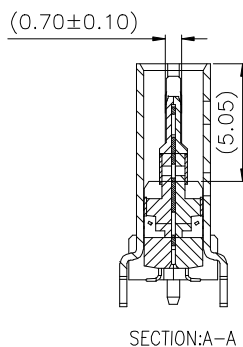
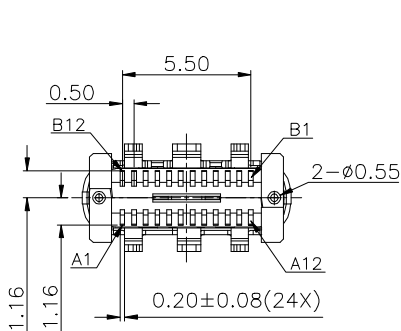
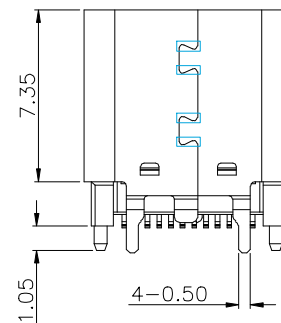
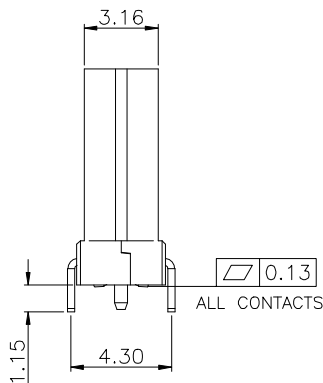
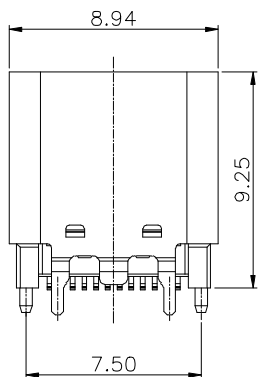


AFTER MATING

NOTE:

1. MATERIAL SPECIFICATION:
 - 1-1. HOUSING: HIGH TEMPERATURE RESISTANT PLASTIC (LCP), UL94 V-0.
 - 1-2. CONTACTS: COPPER ALLOY T=0.12mm
 - 1-3. MID PLATE: STAINLESS STEEL T=0.20mm
 - 1-4. EMI PLATE: STAINLESS STEEL T=0.10mm
 - 1-5. SHELL: STAINLESS STEEL T=0.30mm
 2. MECHANICAL PERFORMANCE,
 - 2-1. INSERTION FORCE: 0.5~2.0kgf.
 - 2-2. EXTRACTION FORCE: 0.8kgf~2.0kgf.
 - 2-3. DURABILITY: 10000 CYCLES.
 3. ELECTRICAL PERFORMANCE,
 - 3-1. CURRENT RATING: 5.0A
VOLTAGE RATING: 5.0V
 - 3-2. LLCR:
 - VBUS & GND PINS AND OTHER PINS: 40mΩ/PIN MAX.
 - SHIELD: 50mΩ/MAX.
 - LLCR MAX. CHANGE OF ALL PINS: 10mΩ.
 - 3-3. INSULATION RESISTANCE: 100MΩ MIN
 - 3-4. DIELECTRIC WITHSTAND VOLTAGE, AC 100V FOR 1 MINUTE.
 4. ENVIRONMENTAL PERFORMANCE:
 - OPERATING TEMPERATURE: -30°C~+85°C.
- All materials must meet GREENCONN hazardous substances control standards.



Ordering Information

C UAC202-12 XX B 001 C X 6 X

Standard Plating
75=Gold Flash/Matte Tin

Color
1=Black

Standard Packing
F=(Products+Cap)T&R

格稜股份有限公司
Greenconn Corporation

GENERAL TOLERANCE

X'±	X±
.X'±	.X±0.30
.XX'±	.XX±0.25
.XXX'±	.XXX±0.15

DESIGNED:

DATE:

CHECKED:

DATE:

APPROVED:

DATE:

DWG. NO.

CUAC202-CB001

PART NO.

CUAC202-12XXB001CX6X

TITLE.

USB C F TYPE母座
直立式SMT短体CONN.

REV. 02	UNIT. mm	SCALE. 1:1	PAGE. 1/2
------------	-------------	---------------	--------------