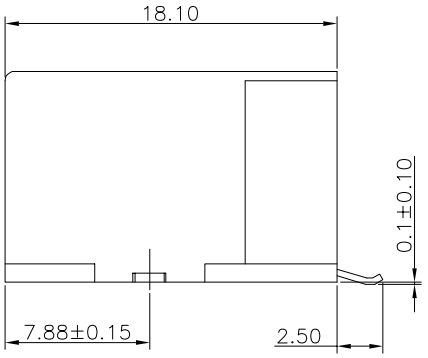
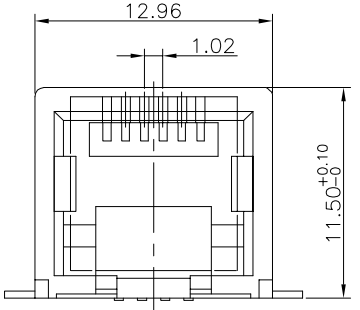


1 2 3 4 5 6 7 8 9

F



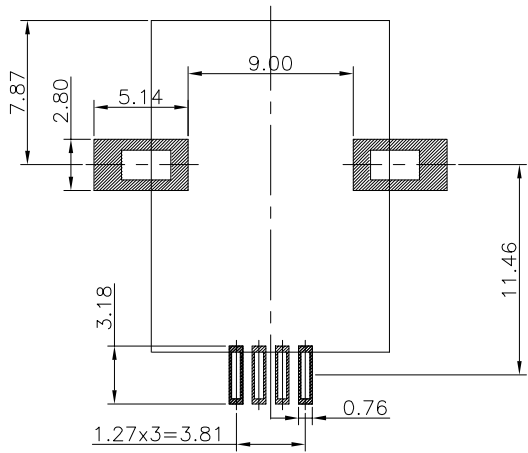
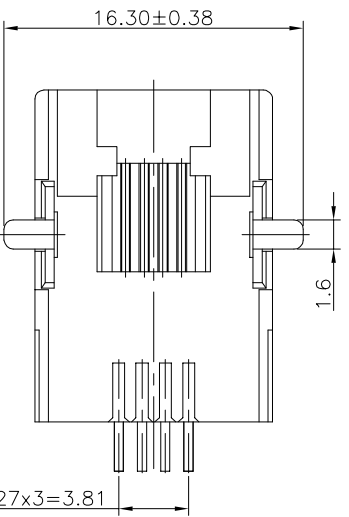
Material:  
 Plastic: PBT+30%GF, UL94V-0, BLACK.  
 Plug terminal: Gold plated wire,  
 0.6u" gold plating on contact area.

Machanical:  
 Durability: 750 cycles Min, 12.5mm/minute.  
 Operating Temperature: -40°C to +85°C  
 Storage Temperature: -40°C to +85°C

Electrical:  
 Voltage: 125 Volts AC.  
 Insulation Resistance: 500 Mega ohms minimum initial  
 after 500V DC for 1 minute.  
 Low Level Contact Resistance: Single Terminal 30 milliohms  
 maximum initial 50 milliohms  
 maximum after durability test.  
 All materials must meet GREENCONN  
 hazardous substances control standards.

E

D



PCB LAYOUT(±0.05)

### Ordering Information

C TZD109 - 06 XX A 001 A X S X

Standard Plating  
 02=Gold Flash  
 Selective Plating  
 06=Gold 6u"

Color  
 1=Black

Standard Packing  
 B=Tray

B

A

格稜股份有限公司  
**Greenconn Corporation**

GENERAL TOLERANCE	
X.*±3.0°	X.±0.25
.X*±2.0°	.X±0.20
.XX*±1.5°	.XX±0.10
.XXX*±1.0°	.XXX±0.05

DESIGNED:	DATE:
CHECKED:	DATE:
APPROVED:	DATE:

DWG. NO. CTZD109-CA1AS
PART NO. CTZD109-06XXA001AXSX

TITLE. RJ11 6P4C SMT
-------------------------

REV.	UNIT.	SCALE.	PAGE.
01	mm	1:1	1/1

1 2 3 4 5 6 7 8 9