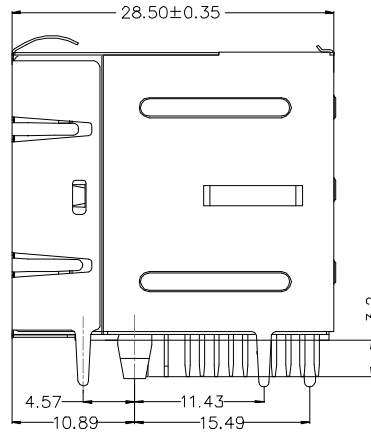
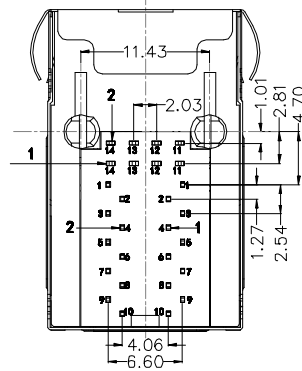


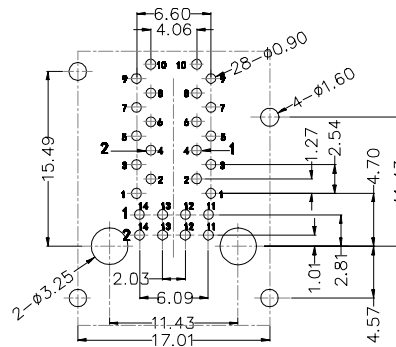
FRONT VIEW



RIGHT SIDE VIEW



BOTTOM VIEW



RECOMMENDED PCB LAYOUT

MATERIAL:
HOUSING: PA66, UL94V-0, BLACK.
TERMINALS BRACKET: PA66, UL94V-0, BLACK.
SHIELD: C2680, T=0.20MM
TERMINAL: PHOSPHOR BRONZE, T=0.35MM,

MECHANICAL:
DURABILITY: 750 CYCLES MIN.
MATING FORCE: 23N MAX.
OPERATING TEMPERATURE: -40°C~+85°C.
STORAGE TEMPERATURE: -40°C~+85°C.

Ordering Information

C TZB611 - 28 XX B 005 E X A X
 No. of pins 28
 Standard Plating 53=Gold 6u"/Tin 55=Gold 15u"/Tin
 Color 1=Black
 Standard Packing B=Tray



Website: www.greenconn.com
 E-mail: sales@greenconn.com

REV. B UNIT. mm SCALE. 1:1
 3RD.ANG PROJ. PAGE. 1/3

GENERAL TOLERANCE	
X. 5.0'	X.?.35
.X 3.0'	.X?.30
.XX 2.0'	.XX?.25
.XXX 1.0'	.XXX?.15

DESIGNED:	DATE:
CHECKED:	DATE:
APPROVED:	DATE:

DWG. NO.	CTZB611-CB005
PART NO.	CTZB611-28XXB005EXAX

TITLE.	RJ45 2X1 10/100BASE
--------	---------------------

1 2 3 4 5 6 7 8 9

F

E

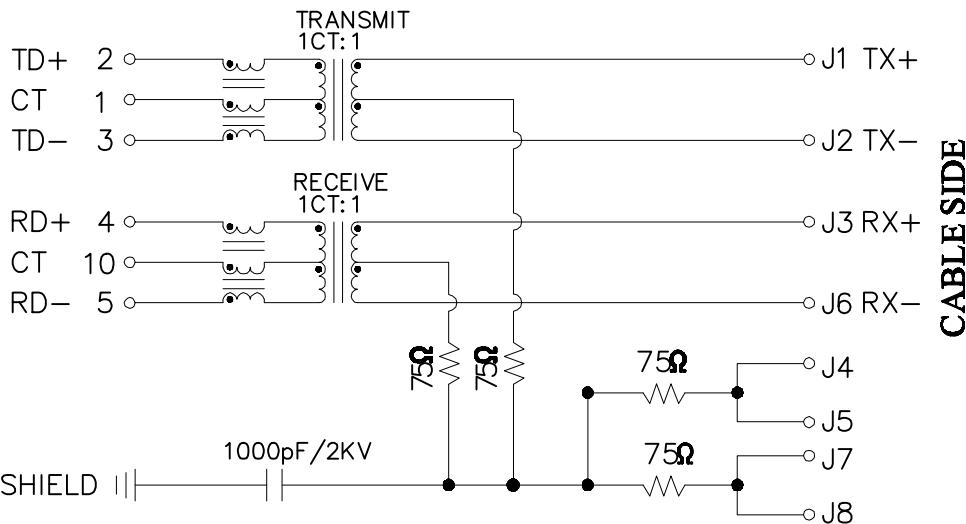
D

C

B

A

PCB SIDE TO PHY



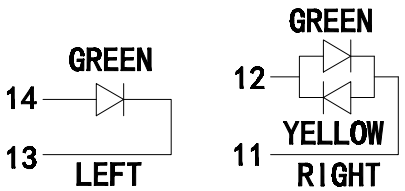
CABLE SIDE

Electrical:

- 1. Turn ratio: 2~3: J1~J2=1CT:1CT(±2%).
4~5: J3~J6=1CT:1CT(±2%).
- 2. OCL: 350uH Min. at 100KHz 100mV 8mA DC.
- 3. Insertion Loss: -1.0 dB Max 1~100MHz.
- 4. Return loss: -20dB Min 1~10MHz;
-16dB Min 10~30MHz.
-12dB Min 30~60MHz.
-10dB Min 60~80MHz.
- 5. Cross talk: -40dB Min 1~30MHz;
-35dB Min 30~60MHz;
-30dB Min 60~100MHz;
- 6. CMR: -30dB Min 1~100MHz;
- 7. Hi-Pot: 1500V AC & 2250V DC
6S 1mA PRI TO SEC

LED Specification

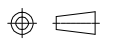
Standard LED Color	LED Wavelength	Foward(A)	Foward(V)
Green	568nm	20mA	1.85-2.45V
Yellow	585nm	20mA	1.7-2.2V



Greenconn
 Website: www.greenconn.com
 E-mail: sales@greenconn.com

REV. B	UNIT. mm	SCALE. 1:1	PAGE. 2/3
--------	----------	------------	-----------

3RD.ANG PROJ.



GENERAL TOLERANCE	
X. 5.0'	X. ?.35
.X 3.0'	.X ?.30
.XX 2.0'	.XX ?.25
.XXX 1.0'	.XXX ?.15

DESIGNED:	DATE:
CHECKED:	DATE:
APPROVED:	DATE:

DWG. NO. CTZB611-CB005
PART NO. CTZB611-28XXB005EXAX

TITLE.
RJ45 2X1 10/100BASE

1 2 3 4 5 6 7 8 9

F

E

D

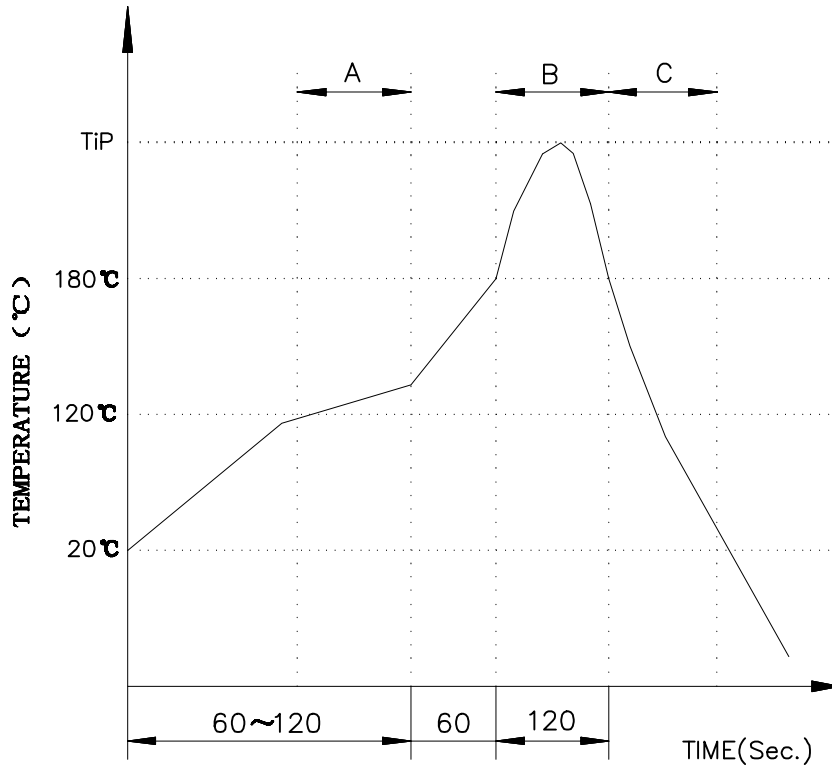
C

B

A

F

PROFILE OF WAVE SOLDER


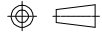


A.Preheating B.Soldering C.Gradual Cooling
Tip temperature:260±5°C.
Tip temperature time:5Sec Max.
Tip melting point of Sn96.5/Ag3/Cu0.5:217°C.

Remarks: after wave soldering, the plastic positioning columns of the product which under the PCB will be slightly melted, but it won't affect its function.

B

A

 Website:www.greenconn.com E-mail:sales@greenconn.com			3RD.ANG PROJ.		GENERAL TOLERANCE		DESIGNED:		DATE:		DWG. NO.		TITLE.		
					X. 5.0'		X.?.35		CHECKED:		DATE:		CTZB611-CB005		RJ45 2X1 10/100BASE
REV. B		UNIT. mm		SCALE. 1:1		.X 3.0'		.X?.30		PART NO.					
				PAGE. 3/3		.XX 2.0'		.XX?.25		CTZB611-28XXB005EXAX					
						.XXX 1.0'		.XXX?. 15		APPROVED:		DATE:			