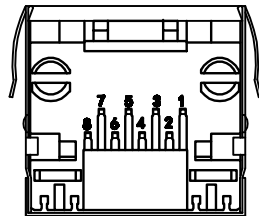
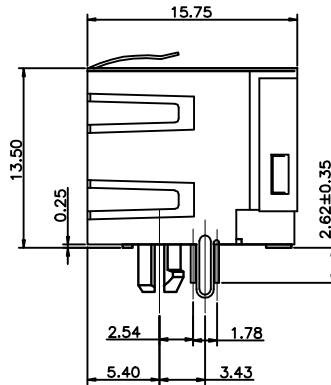
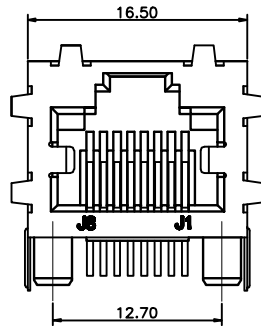


1 2 3 4 5 6 7 8 9

F



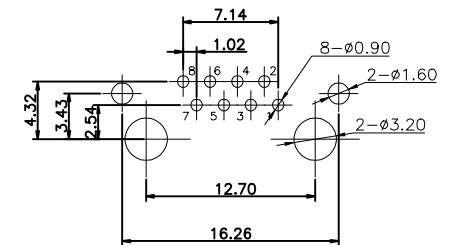
Specifications
 Current Rating:1.5Amp
 Voltage Rating:125VAC
 Insulation Resistance:500M Ω Min.
 Dielectric Withstanding Voltage:1000VAC
 Contact Resistance:30m Ω Max.
 Operating Temperature:-40°C to +85°C
 Materials
 Contact Material:Phosphor Bronze
 Shell Material:Bras
 High Temperture Thermoplastic: Suitable for Reflow Soldering Process UL 94V-0 (Nylon9T)
 Regular Thermoplastic: Only Suitable for Wave Soldering Process (PBT).
 All materials must meet Greenconn requirement for environment protection.

E

D

C

Recommended P.C.Board
 Layout
 (Tolerance:±0.05)



B

Ordering Information

C TZB237 - 08 XX B 002 X X A X

No. of Pins per Row: 08
 Standard Plating: 05=Gold Flash/Tin, 62=Gold 50u"/Tin, 77=Gold 15u"/Matte Tin (MOQ 10K), C9=Gold 50u"/Matte Tin (MOQ 10K), 58=Gold 30u"/Tin (MOQ 5K)
 Insulator Material: A=PBT, D=PA9T
 Color: 1=Black,
 Contact Material: A=Phosphor Bronze
 Standard Packing: B=Tray

A



REV. 01 UNIT. mm SCALE. 1:1

3RD.ANG PROJ.

 PAGE. 2/2

GENERAL TOLERANCE	
X.'±5.0'	X.±0.45
.X'±3.0'	.X±0.35
.XX'±2.0'	.XX±0.25
.XXX'±1.0'	.XXX±0.15

DESIGN: _____ DATE: _____
 CHECKED: _____ DATE: _____
 AUDITED: _____ DATE: _____

DWG. NO. CTZB237-CB002
 PART NO. CTZB237-08 XX B002X1AX

TITLE. RJ45 8P8C SIDE ENTRY JACK WITH SHIELDED

1 2 3 4 5 6 7 8 9