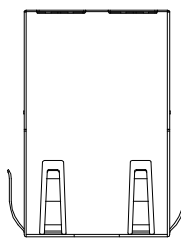


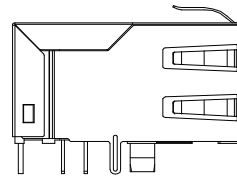
1 2 3 4 5 6 7 8 9

F
E
D
C
B
A

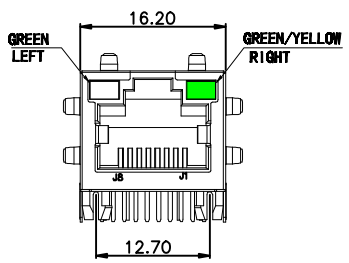


TOP VIEW

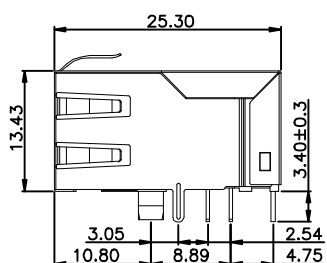
MATERIAL:
HOUSING: PBT, UL94V-0.
TERMINALS BRACKET: PBT, UL94V-0
SHIELD: C2680, T=0.20MM.
TERMINAL: PHOSPHOR BRONZE C5210, T=0.35MM,
MECHANICAL:
DURABILITY: 750 CYCLES MIN.
MATING FORCE: 23N MAX.
STORAGE TEMPERATURE: -40°C~+85°C.
OPERATING TEMPERATURE: -40°C~+85°C.
 All materials must meet GREENCONN hazardous substances control standards.



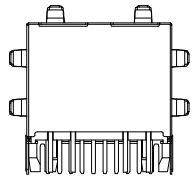
LEFT SIDE VIEW



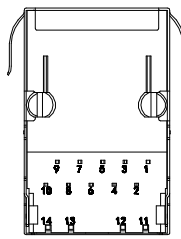
FRONT VIEW



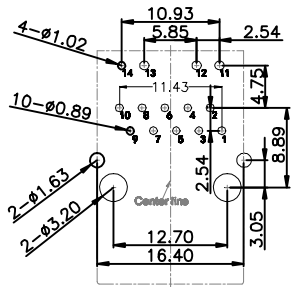
RIGHT SIDE VIEW



BACK VIEW



BOTTOM VIEW



RECOMMENDED PCB LAYOUT VIEWED FROM COMPONENT SIDE

Ordering Information

C TZB232- 08 XX B 004 A X A X
 No.of pins 08 Standard Plating 53=Gold 6u"/Tin Color 1=Black Standard Packing B=Tray



REV. A	UNIT. mm	SCALE. 1:1	3RD.ANG PROJ.	PAGE. 1/4	GENERAL TOLERANCE		DESIGNED:	DATE:	DWG. NO. CTZB232-CB004AA	TITLE. RJ45 1X1 10/100/1000BASE			
					X.°±30°	X.±0.35					CHECKED:	DATE:	PART NO. CTZB232-08XXB004AXAX
					.X°±2.0°	.X±0.30							
.XX°±1.5°	.XX±0.25	APPROVED:	DATE:										
.XXX°±1.0°	.XXX±0.10												

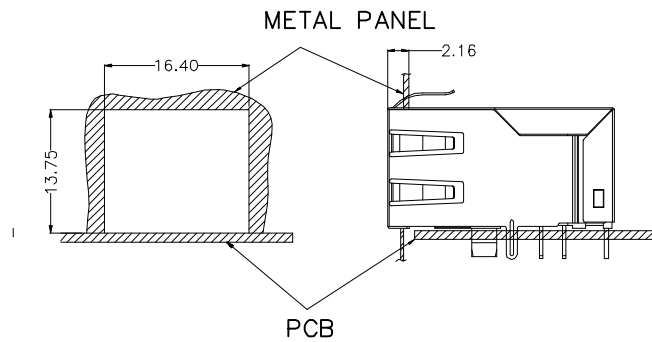
1 2 3 4 5 6 7 8 9

1 2 3 4 5 6 7 8 9

F

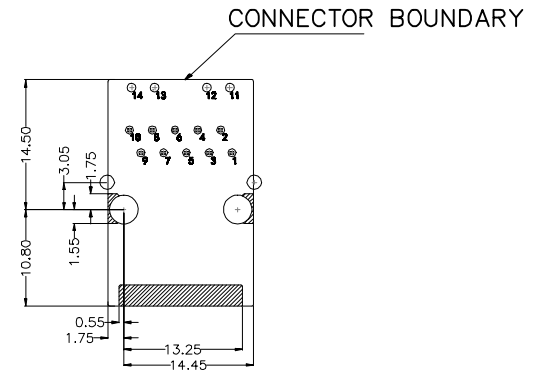
E

RECOMMENDED PANEL CUTOUT(REFERENCE ONLY):



UNIT: MM / INCH
 TOLERANCES: ± 0.10 / 0.004
 REFERENCE ONLY

KEEP-OUT AREA(COMPONENT SIDE VIEW):



PLUG-IN SIDE

UNIT: MM / INCH
 TOLERANCES: ± 0.10 / 0.004

C

B

A

<p>Website: www.greenconn.com E-mail: sales@greenconn.com</p>	3RD.ANG PROJ. 	GENERAL TOLERANCE X. $\pm 30^\circ$ X. ± 0.35		DESIGNED: CHECKED: APPROVED:	DATE: DATE: DATE:	DWG. NO. CTZB232-CB004AA	TITLE. RJ45 1X1 10/100/1000BASE
		.X $\pm 2.0^\circ$.X ± 0.30 .XX $\pm 1.5^\circ$.XX ± 0.25 .XXX $\pm 1.0^\circ$.XXX ± 0.10	PART NO. CTZB232-08XXB004AXAX				
REV. A UNIT. mm SCALE. 1:1	PAGE. 2/4						

1 2 3 4 5 6 7 8 9

1 2 3 4 5 6 7 8 9

F

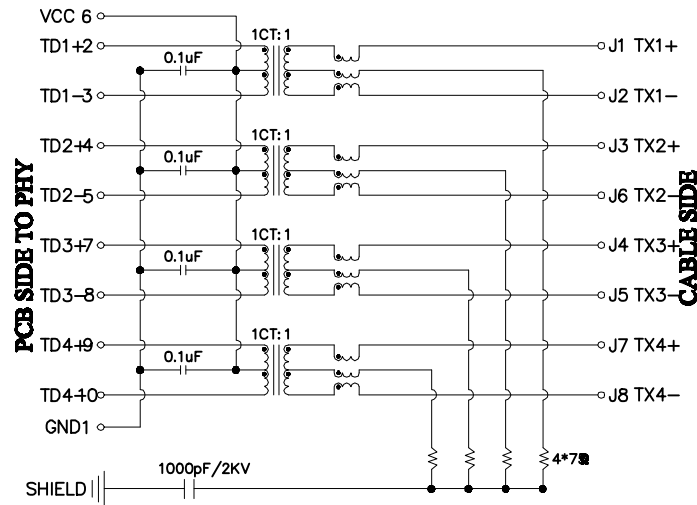
E

D

C

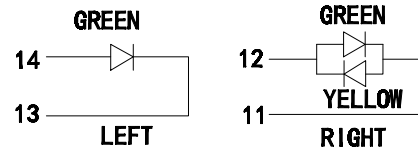
B

A



Electrical:

1. Turn ratio: 2~3: J1~J2=1CT:1CT(±2%).
4~5: J3~J6=1CT:1CT(±2%).
7~8: J4~J5=1CT:1CT(±2%).
9~10: J7~J8=1CT:1CT(±2%).
2. OCL: 350uH Min. at 100KHz 100mV 8mA DC.
3. Insertion Loss: -1.0 dB Max 1~100MHz.
4. Return loss: -18dB Min 1~30MHz;
-14dB Min 30~60MHz;
-12dB Min 60~80MHz;
-10dB Min 80~100MHz.
5. Cross talk: -40dB Min 1~30MHz;
-35dB Min 30~60MHz;
-30dB Min 60~100MHz;
6. CMR: -30dB Min 1~100MHz;
7. Hi-Pot: 2250V DC 6S 1mA PRI TO SEC



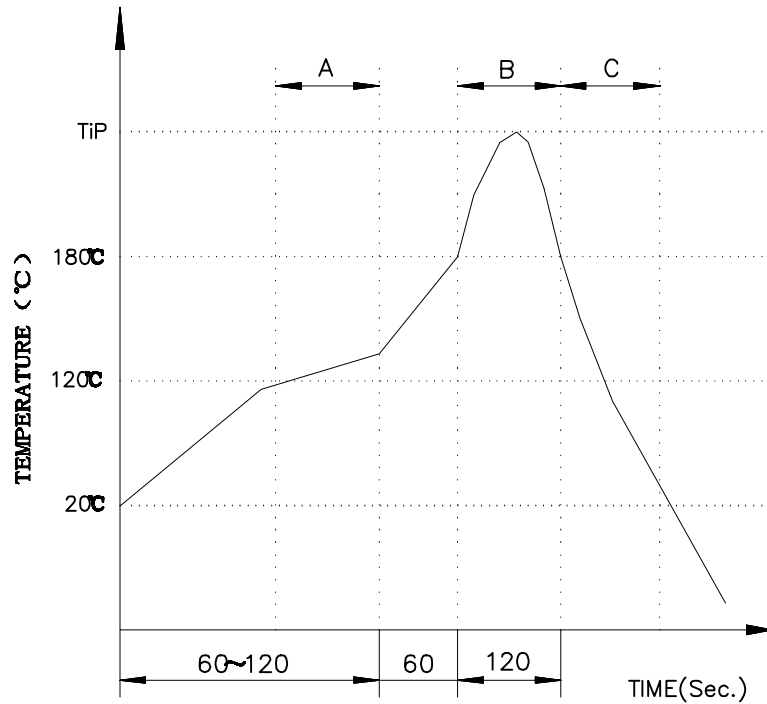
LED Specification

Standard LED Color	LED Wavelength	Foward(A)	Foward(V)
Green	568nm	20mA	1.85-2.45V
Yellow	585nm	20mA	1.7-2.2V

<p>Website: www.greenconn.com E-mail: sales@greenconn.com</p>	<p>3RD.ANG PROJ.</p>	<p>GENERAL TOLERANCE</p>		<p>DESIGNED:</p>	<p>DATE:</p>	<p>DWG. NO. CTZB232-CB004AA</p>	<p>TITLE. RJ45 1X1 10/100/1000BASE</p>
		<p>X.°±3.0°</p>	<p>X.±0.35</p>				
<p>REV. A</p>	<p>UNIT. mm</p>	<p>SCALE. 1:1</p>	<p>PAGE. 3/4</p>	<p>.XX°±1.5°</p>	<p>.XX±0.25</p>	<p>PART NO. CTZB232-08XXB004AXAX</p>	
				<p>.XXX°±1.0°</p>	<p>.XXX±0.10</p>	<p>APPROVED:</p>	<p>DATE:</p>


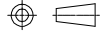
1 2 3 4 5 6 7 8 9

PROFILE OF WAVE SOLDER



A.Preheating B.Soldering C.Gradual Cooling
Tip temperature:260±5°C.
Tip temperature time:5Sec Max.
Tip melting point of Sn96.5/Ag3/Cu0.5:217°C.

Remarks: after wave soldering, the plastic positioning columns of the product which under the PCB will be slightly melted, but it won't affect its function.

 Website:www.greenconn.com E-mail:sales@greenconn.com	3RD.ANG PROJ. 	GENERAL TOLERANCE		DESIGNED: CHECKED: APPROVED:	DATE: DATE: DATE:	DWG. NO. CTZB232-CB004AA	TITLE. RJ45 1X1 10/100/1000BASE
		X.°±30° .X°±2.0° .XX°±1.5° .XXX°±1.0°	X.±0.35 .X±0.30 .XX±0.25 .XXX±0.10			PART NO. CTZB232-08XXB004AXAX	
REV. A UNIT. mm SCALE. 1:1	PAGE. 4/4						