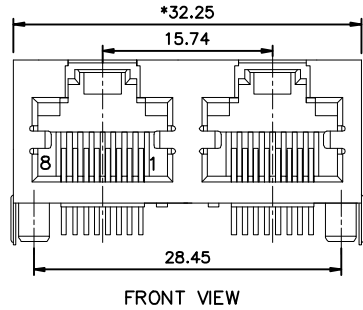
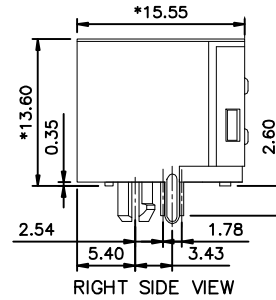


1 2 3 4 5 6 7 8 9

F

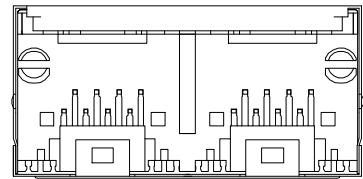


FRONT VIEW

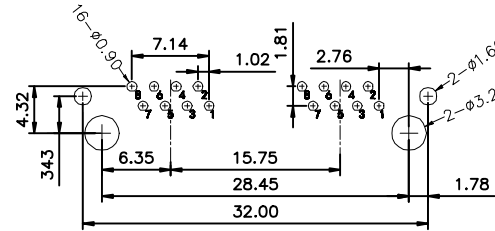


RIGHT SIDE VIEW

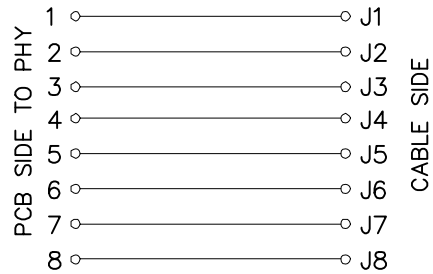
ELECTRICAL:
 VOLTAGE RATING: 125 VAC RMS
 CURRENT RATING: 1.5 AMP
 INSULATION RESISTANCE: 500MΩMIN @ 500 VDC
 DIELECTRIC STRENGTH: 1000 VAC RMS
 50Hz or 60Hz, 1MIN
 CONTACT RESISTANCE: SINGLE TERMINAL
 30mΩ MAXIMUM
 INITIAL 50mΩ MAXIMUM AFTER DURABILITY TEST
MECHANICAL:
 HOUSING & INSERT MATERIAL: PBT UL94V-0
 CONTACT MATERIAL: PHOSPHOR BRONZE
 SHIELD: BRASS
 MATING/UNMATING FORCE: 2.2KG.F MAX
 RETENTION STRENGTH: 7.7KG.F MIN, BETWEEN
 JACK AND PLUG.
 OPERATING LIFE: 750 CYCLES MIN, 12.5MM/MINUTE
ENVIRONMENTAL:
 STORAGE: -40°C ~ +85°C
 OPERATION: -40°C ~ +85°C
 All materials must meet GREENCONN
 hazardous substances control standards.



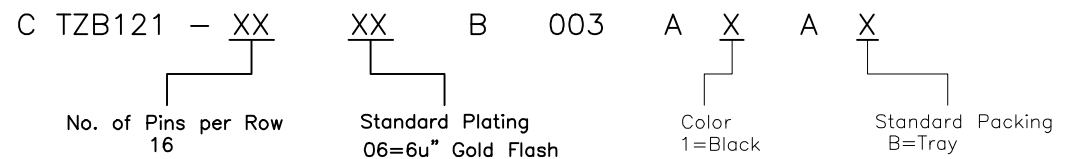
BOTTOM VIEW



RECOMMENDED PCB LAYOUT
 VIEWED FROM COMPONENT SIDE



Ordering Information



A

<p>Website: www.greenconn.com E-mail: sales@greenconn.com</p>			3RD.ANG PROJ. 	GENERAL TOLERANCE		DESIGNED: CHECKED: APPROVED:	DATE: DATE: DATE:	DWG. NO. CTZB121-CB003AA	TITLE. RJ45直連56 1*2 无灯带屏蔽
				X: ±5.0'	X: ±0.35			PART NO. CTZB121-XXXX B003A1AX	
REV. 02	UNIT. mm	SCALE. 1:1	PAGE. 1/1	.X' ±3.0'	.X ±0.30				
				.XX' ±2.0'	.XX ±0.25				
				.XXX' ±1.0'	.XXX ±0.10				

1 2 3 4 5 6 7 8 9