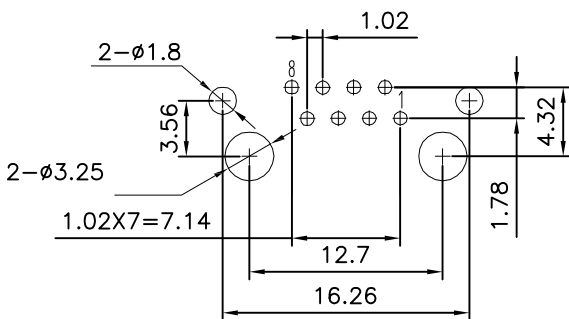
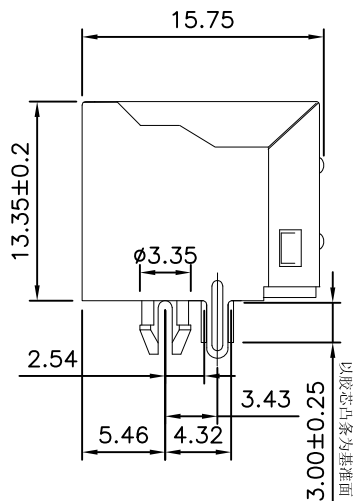
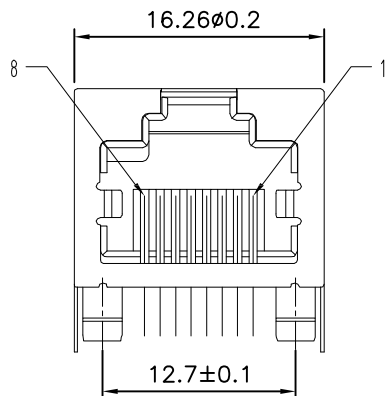
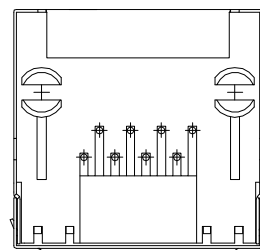


REV.	LOCAS.	DESCRIPTION	DATE	DRAWN
01	NEW	BATCH PRODUCTION INITIAL RELEASE.	2022.4.22	羅嘉樂



PC Board Layout
Component Side Shown



ELECTRICAL:
 VOLTAGE RATING: 125 VAC RMS
 CURRENT RATING: 1.5 AMP
 CONTACT RESISTANCE: 30mΩ MAX
 INSULATION RESISTANCE: 500MΩ MIN@ 500V DC
 DIELECTRIC STRENGTH: 1000 VAC RMS 50Hz or 60Hz, 1MIN

MECHANICAL:
 HOUSING & INSERT MATERIAL: PA46 UL94V-0
 CONTACT MATERIAL: PHOSPHOR BRONZE
 MATING/UNMATING FORCE: 2.2KG.F MAX
 RETENTION STRENGTH: 7.7KG.F MIN, BETWEEN JACK AND PLUG.
 OPERATING LIFE: 600 CYCLES MIN
ENVIRONMENTAL:
 STORAGE: -40°C ~ +85°C
 OPERATION: -40°C ~ +85°C
 Support the CAT5E standard
 All materials must meet GREENCONN hazardous substances control standards.

Ordering Information

C TZB109 - XX XX B 008 F X A X

No. of Pins per Row 08 Standard Plating 02=Gold Flash Color 1=Black Standard Packing B=Tray



3RD.ANG PROJ.

 PAGE. 1/1

GENERAL TOLERANCE	
X.*±5.0'	X.±0.50
.X*±3.0'	.X±0.25
.XX*±2.0'	.XX±0.20
.XXX*±1.0'	.XXX±0.10

DESIGNED: 羅嘉樂
 CHECKED:
 APPROVED:

DATE: 2022.4.22
 DATE:
 DATE:

DWG. NO. CTZB109-CB008FA
 PART NO. CTZB109-XXXX B008F1AX

TITLE. RJ45 8P8C