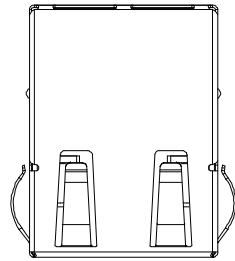


1 2 3 4 5 6 7 8 9

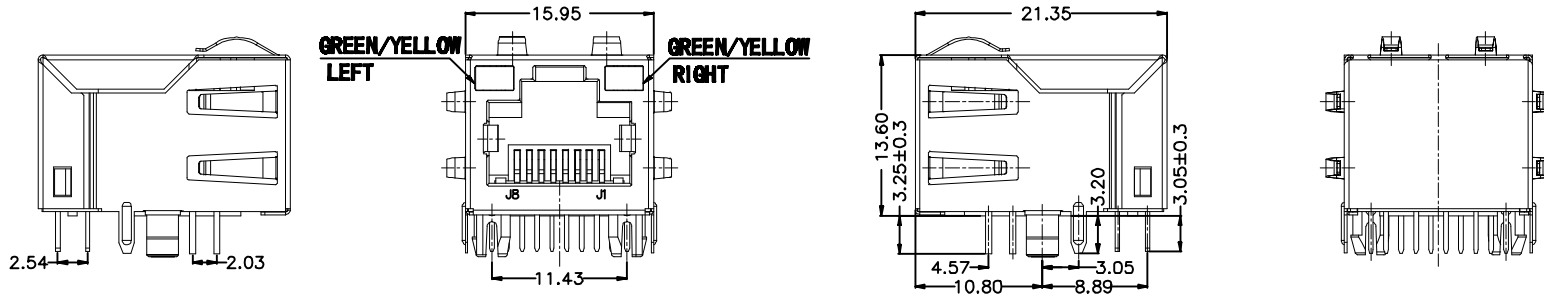
F



MATERIAL:
 HOUSING: PBT,UL94V-0
 TERMINALS BRACKET: PBT,UL94V-0,BLACK
 TERMINAL: PHOSPHOR BRONZE T=0.35MM
 SHIELD: C2680,T=0.20MM

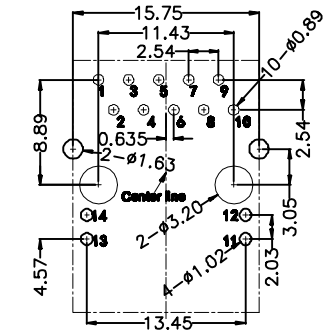
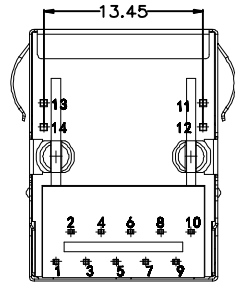
MACHANICAL:
 DURABILITY: 750 CYCLES MIN
 MATING FORCE: 23N MAX.
 OPERATING TEMPERATURE: -40°C~+85°C.
 STORAGE TEMPERATURE: -40°C~+85°C.
 All materials must meet GREENCONN hazardous substances control standards.

E



D

C



RECOMMENDED PCB LAYOUT

Ordering Information

CTEB217 - 10 XX B 088 A X A X

No. of pins: 10
 Standard Plating: 53=Gold 6u"/Tin
 Color: 1=Black
 Standard Packing: B=Tray

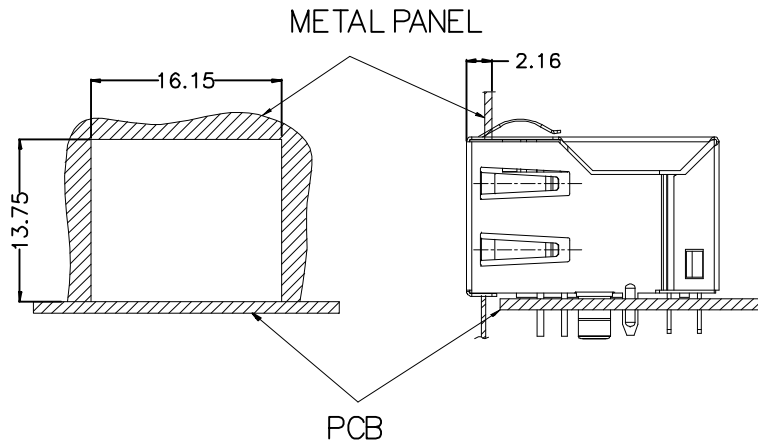
B

A

 Website: www.greenconn.com E-mail: sales@greenconn.com	3RD.ANG PROJ.	GENERAL TOLERANCE		DESIGNED:	DATE:	DWG. NO. CTEB217-B088AA	TITLE. RJ45 TAB-UP 1*1 1000BASE			
		X. ±5.0'	X. ±0.35					CHECKED:	DATE:	PART NO. CTEB217-10XXB088AXX
		.X' ±3.0'	.X ±0.30					APPROVED:	DATE:	
REV. 01	UNIT. mm	SCALE. 1:1	PAGE. 1/4							

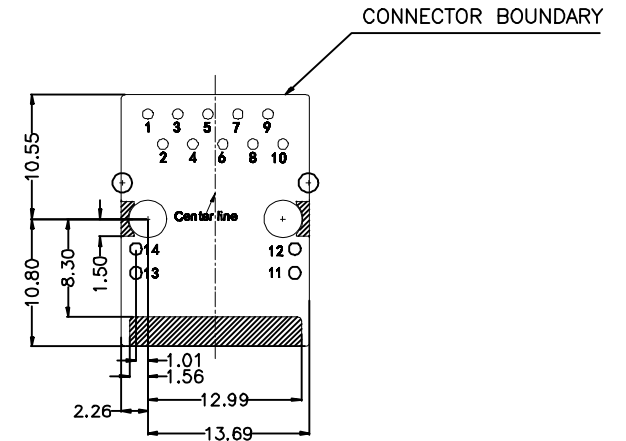
1 2 3 4 5 6 7 8 9

RECOMMENDED PANEL CUTOUT(REFERENCE ONLY):



UNIT: MM
TOLERANCES: ± 0.10
REFERENCE ONLY

KEEP-OUT AREA(COMPONENT SIDE VIEW):



PLUG-INSIDE

UNIT: MM
TOLERANCES: ± 0.10

Greenconn
Website: www.greenconn.com
E-mail: sales@greenconn.com

REV. 01	UNIT. mm	SCALE. 1:1
---------	----------	------------

3RD.ANG PROJ.
PAGE. 2/4

GENERAL TOLERANCE	
X.' $\pm 5.0'$	X. ± 0.35
.X' $\pm 3.0'$.X ± 0.30
.XX' $\pm 2.0'$.XX ± 0.25
.XXX' $\pm 1.0'$.XXX ± 0.10

DESIGNED:	DATE:
CHECKED:	DATE:
APPROVED:	DATE:

DWG. NO. CTEB217-B088AA
PART NO. CTEB217-10XXB088AXAX

TITLE. RJ45 TAB-UP 1*1 1000BASE

1 2 3 4 5 6 7 8 9

F

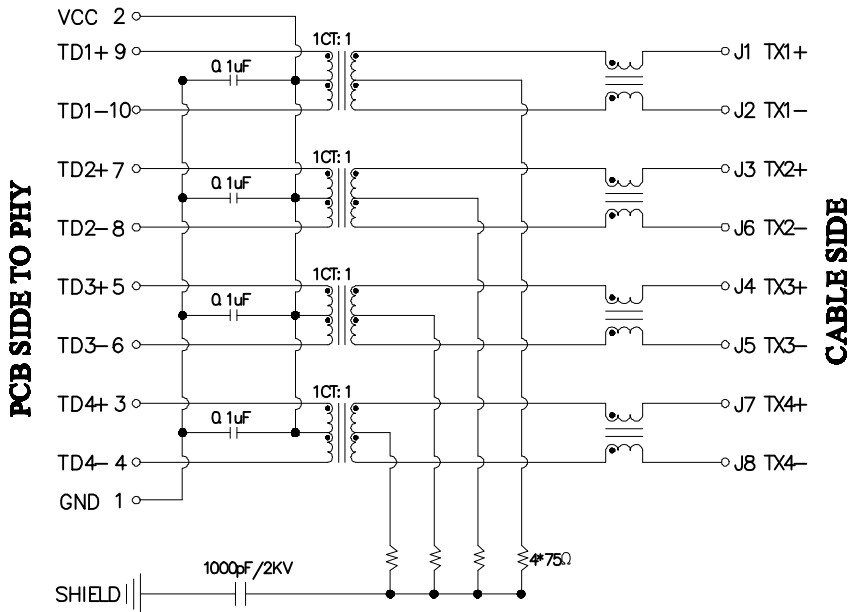
E

D

C

B

A

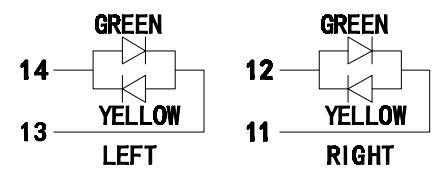


Electrical:

1. Turn ratio: 9~10: J1~J2=1 CT:1 CT(±2%),
7~8: J3~J6=1 CT:1 CT(±2%),
5~6: J4~J5=1 CT:1 CT(±2%),
3~4: J7~J8=1 CT:1 CT(±2%).
2. OCL: 350uH Min.at 100KHz 100mV 8mA DC.
3. Insertion Loss: -1.0 dB Max 1~100MHz.
4. Return loss: -18dB Min 1~30MHz;
-14dB Min 30~60MHz;
-12dB Min 60~80MHz;
-10dB Min 80~100MHz.
5. Cross talk: -40dB Min 1~30MHz;
-35dB Min 30~60MHz;
-30dB Min 60~100MHz;
6. CMR: -30dB Min 1~100MHz;
7. Hi-Pot: 2250V DC 6S 1mA PRI TO SEC

LED Specification

Standard LED Color	LED Wavelength	Foward(A)	Foward(V)
Green	568nm	20mA	1.85-2.45V
Yellow	585nm	20mA	1.7-2.2V



Greenconn
 Website: www.greenconn.com
 E-mail: sales@greenconn.com

3RD.ANG PROJ.

 PAGE. 3/4

GENERAL TOLERANCE	
X. ±5.0'	X. ±0.35
.X' ±3.0'	.X ±0.30
.XX' ±2.0'	.XX ±0.25
.XXX' ±1.0'	.XXX ±0.10

DESIGNED: _____ DATE: _____
 CHECKED: _____ DATE: _____
 APPROVED: _____ DATE: _____

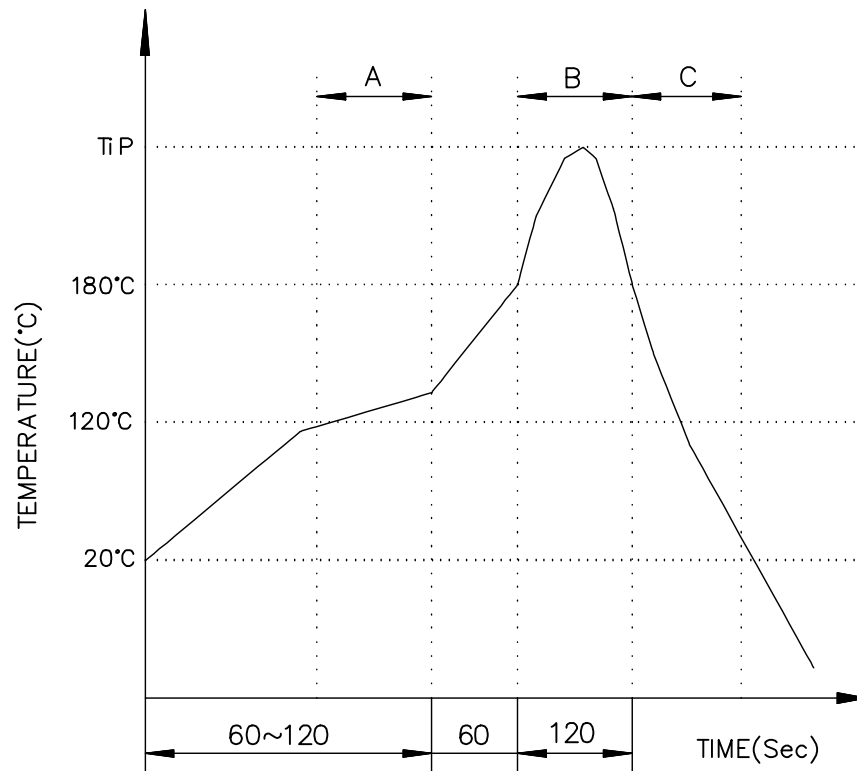
DWG. NO. CTEB217-B088AA
 PART NO. CTEB217-10XXB088AXAX

TITLE. RJ45 TAB-UP 1*1 1000BASE

1 2 3 4 5 6 7 8 9

F


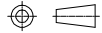
PROFILE OF WAVE SOLDER



A.Preheating B.Soldering C.Gradual Cooling
Tip temperature:260±5°C.
Tip temperature time:5Sec Max.
Tip melting point of Sn96.5/Ag3/Cu0.5:217°C.

Remarks: after wave soldering, the plastic positioning columns of the product which under the PCB will be slightly melted, but it won't affect its function.

A

 Website:www.greenconn.com E-mail:sales@greenconn.com		3RD.ANG PROJ. 	GENERAL TOLERANCE		DESIGNED:	DATE:	DWG. NO. CTEB217-B088AA	TITLE. RJ45 TAB-UP 1*1 1000BASE
			X:±5.0'	X:±0.35				
REV. 01	UNIT. mm	SCALE. 1:1	PAGE. 4/4	.X'±3.0'	.X±0.30	APPROVED:	DATE:	PART NO. CTEB217-10XXB088AXX
				.XX'±2.0'	.XX±0.25			
				.XXX'±1.0'	.XXX±0.10			