

Recommended PCB Layout

Material:
 Housing: LCP,UL94V-0
 Terminal: Phosphor bronze
 Metal Shell: Copper Alloy
 Coil Base: Henolic,PF2A5-151J,UL94V-0,BLACK
 Terminal/Copper Alloy T=0.40*0.40mm Thickness

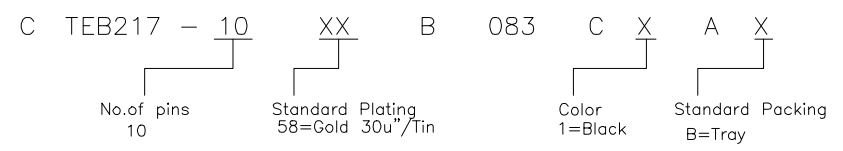
Meets or exceeds IEEE 802.3 standard for 10/100/1000 Base-TX
 350uH minimum OCL with 8mA Bias current
 Available with or without LEDs
 Minimum 1500Vrms isolation per IEEE802.3 requirement
 Operating temperature +40°c to +85°c
 Storage temperature -40°c to +85°c

All materials must meet GREENCONN hazardous substances control standards.



Standard LED	Wavelength	Forward V (Min/Max)	Forward A	Type
Green	568nm	1.8v/2.8v	20mA	squareness
Yellow	585nm	1.8v/2.8v	20mA	squareness

Ordering Information



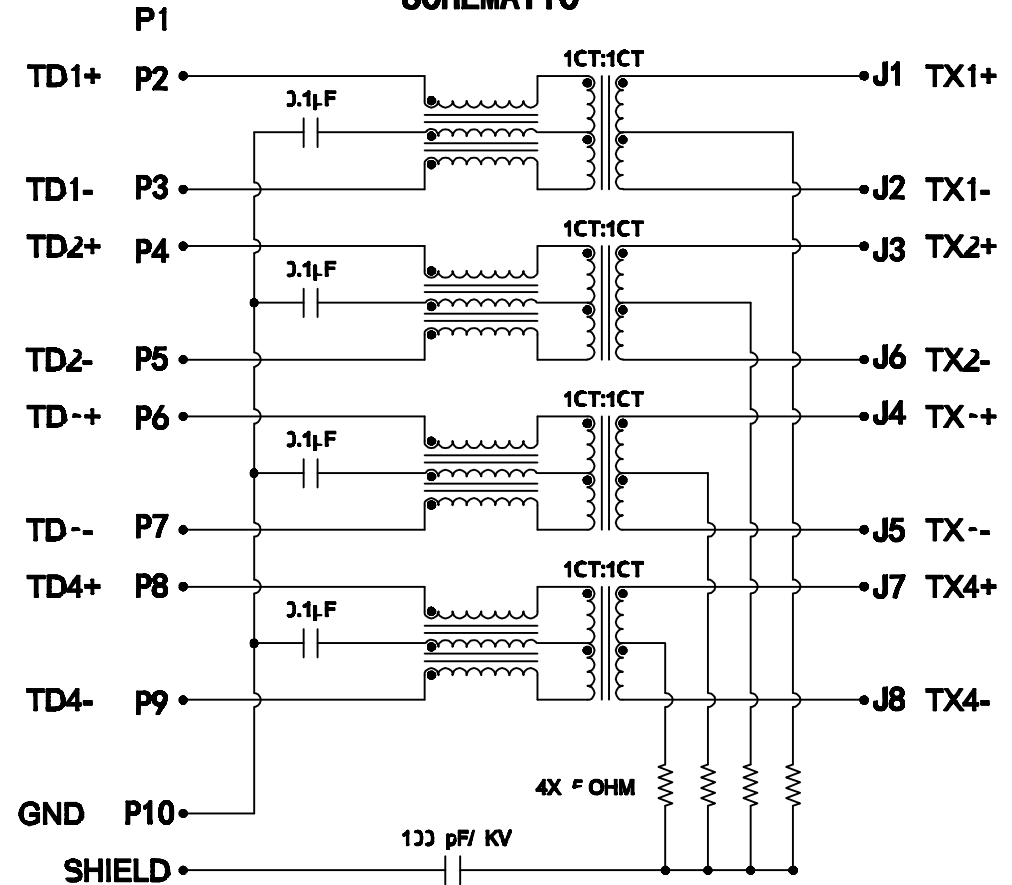
 Website: www.greenconn.com E-mail: sales@greenconn.com	3RD.ANG PROJ.	GENERAL TOLERANCE		DESIGNED:	DATE:	DWG. NO. CTEB217-B083CA	TITLE. RJ45 Connector with transformer 1000base Tab-down 1*1 port with LED
	 REV. A UNIT. mm SCALE. 1:1	 PAGE. 1/2	X. ±5.0'				
		.X' ±3.0'	.X ±0.30	APPROVED:	DATE:		
		.XX' ±2.0'	.XX ±0.25				
		.XXX' ±1.0'	.XXX ±0.15				

ELECTRICAL SPECIFICATIONS @ 25° C UNLESS OTHERWISE NOTED

1. Turn Ratio (+2%) : 1CT:1CT
2. Inductance OCL:
350uH Min @100KHz 0.1V DC BIAS 8mA
3. insertion Loss;
-1.0dB Max @1.0-100MHZ
4. Return Loss:
-20dB Min @1-30MHZ load 100Ω
-16dB Min @30-60MHZ load 100Ω
-12dB Min @60-80MHZ load 100Ω
-10dB Min @80-100MHZ load 100Ω
5. Cross talk:
-40dB Min @1-30MHZ
-35dB Min @30-60MHZ
-30dB Min @60-100MHZ
6. Common Mode Rejection:
-30dB Min @1-100MHZ
7. HIPOT TEST: 1500Vrms 1mA. Max

PCB SIDE TO PHY

SCHEMATIC



CABLE SIDE



Website: www.greenconn.com
E-mail: sales@greenconn.com

REV.	UNIT.	SCALE.
A	mm	1:1

3RD.ANG
PROJ.
PAGE. 2/2

GENERAL TOLERANCE	
X. ±5.0'	X. ±0.35
.X' ±3.0'	.X ±0.30
.XX' ±2.0'	.XX ±0.25
.XXX' ±1.0'	.XXX ±0.15

DESIGNED:
CHECKED:
APPROVED:

DATE:
DATE:
DATE:

DWG. NO.
CTEB217-B083CA
PART NO.
CTEB217-10XXB083CXAX

TITLE.
RJ45 Connector with transformer
1000base Tab-down 1*1 port with LED