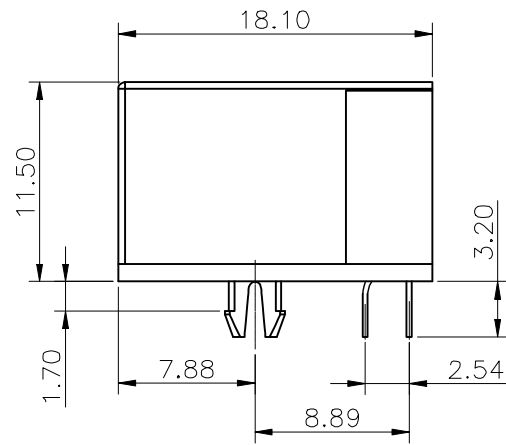
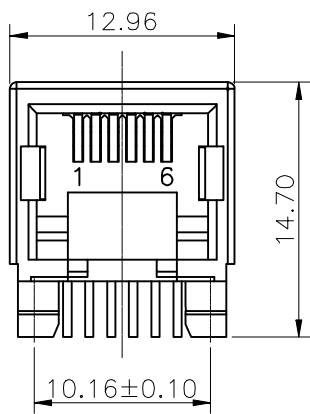


1 2 3 4 5 6 7 8 9

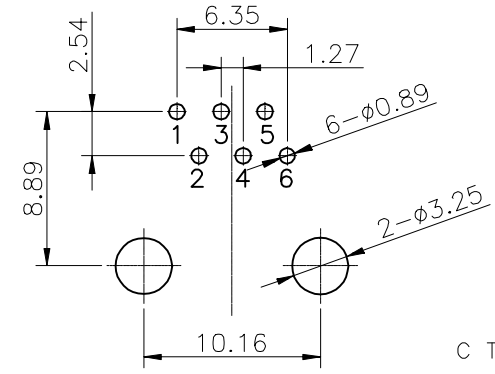
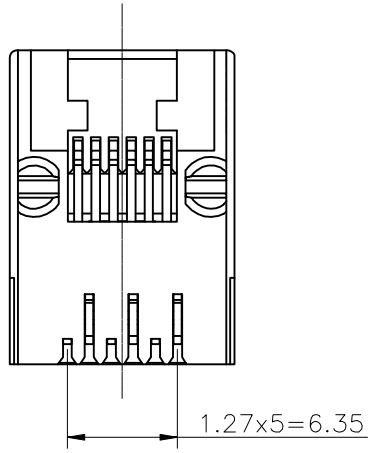
F



SPECIFICATION NOTES:

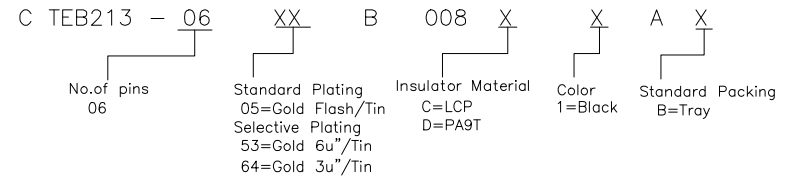
- MATERIAL:**
 1.HOUSING/INSERT: THERMOPLASTIC,UL94V-0
 2.CONTACT: PHOSPHOR BRONZE T=0.35MM
 PLATING: SEE PART NUMBER
- ELECTRICAL:**
 1.VOLTAGE RATING: 125 VAC RMS
 2.CURRENT RATING: 1.5 AMP
 3.CONTACT RESISTANCE: 30mΩ Max.
 4.INSULATION RESISTANCE: 500MΩ Min. AT 500V DC
 5.DIELECTRIC STRENGTH: 1000 VAC 50Hz 1MINUTE
- MECHANICAL:**
 1.MATING/UNMATING FORCE: 30N Max.
 2.RETENTION STRENGTH: 30N Min. FOR 60S±5S
 3.DURRABILITY: 750 CYCLES Min.
- ENVIRONMENTAL:**
 1.STORAGE: -40°C TO +85°C
 2.OPERATION: -40°C TO +85°C
 ALL MATERIALS MUST MEET GREENCONN
 HAZARDOUS SUBSTANCES CONTROL STANDARDS.

D



PCB LAYOUT / TOP VIEW

Ordering Information



B

A

<p>Website: www.greenconn.com E-mail: sales@greenconn.com</p>			3RD.ANG PROJ. 	GENERAL TOLERANCE		DESIGNED:	DATE:	DWG. NO. CTEB213-CB008XA	TITLE. RJ11 1*1 6P6C
				.X'±5.0'	X.±0.35				
REV. 01	UNIT. mm	SCALE. 1:1	PAGE. 1/1	.X'±3.0'	.X±0.30	APPROVED:	DATE:	PART NO. CTEB213-06XXB008XXAX	
				.XX'±2.0'	.XX±0.25				
				.XXX'±1.0'	.XXX±0.10				

1 2 3 4 5 6 7 8 9