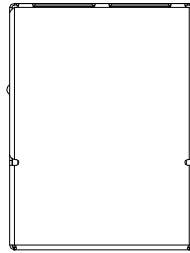


1 2 3 4 5 6 7 8 9

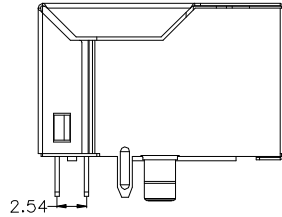
F



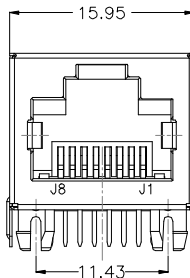
TOP VIEW

MATERIAL:
HOUSING : PA66,UL94V-0,BLACK.
TERMINALS BRACKET: PA66,UL94V-0,BLACK.
SHIELD: C2680
TERMINAL: PHOSPHOR BRONZE C5210
MECHANICAL:
DURABILITY : 750 CYCLES MIN.
MATING FORCE : 23N MAX.
OPERATING TEMPERATURE: -40°C~+85°C.
STORAGE TEMPERATURE: -40°C~+85°C.

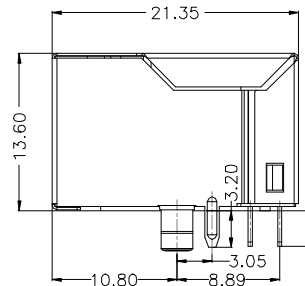
E



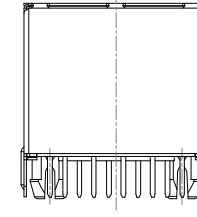
LEFT SIDE VIEW



FRONT VIEW



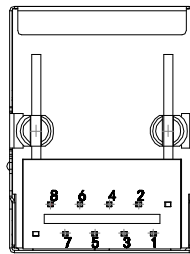
RIGHT SIDE VIEW



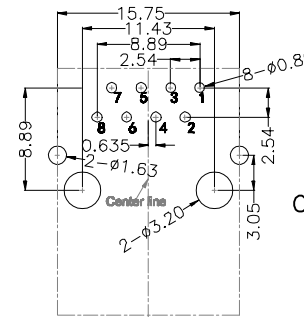
BACK VIEW

D

C



BOTTOM VIEW



RECOMMENDED PCB LAYOUT
VIEWED FROM COMPONENT SIDE

Ordering Information

C TEB126 - XX XX B 005 E X A X

No. of Pins per Row 08 Standard Plating 02=Gold Flash 06=Gold 6u" Color 1=Black Standard Packing B=Tray

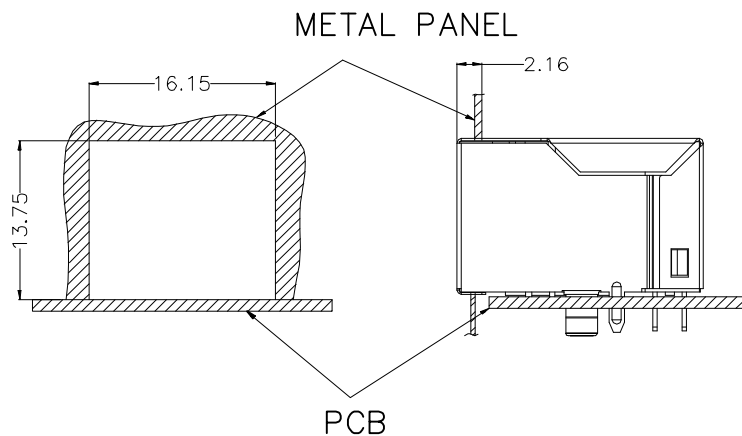
B

A

<p>Website: www.greenconn.com E-mail: sales@greenconn.com</p>	3RD.ANG PROJ. 	GENERAL TOLERANCE		DESIGNED: CHECKED: APPROVED:	DATE: DATE: DATE:	DWG. NO. CTEB126-CB005EA	TITLE. 10Base 1*1 tab-UP RJ45
		REV. 02 UNIT. mm SCALE. 1:1	PAGE. 1/4			X. ±5.0' X. ±0.35 .X' ±3.0' .X ±0.30 .XX' ±2.0' .XX ±0.25 .XXX' ±1.0' .XXX ±0.10	

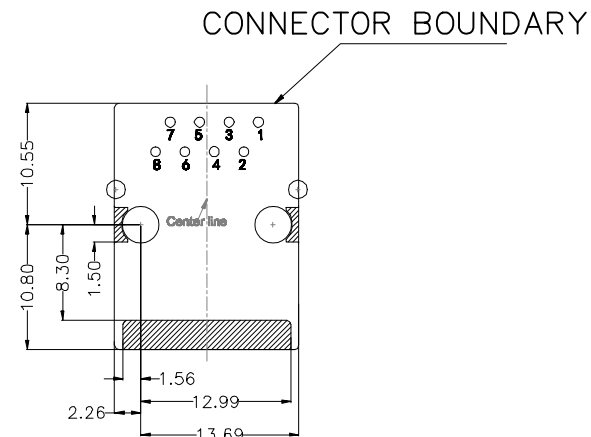
1 2 3 4 5 6 7 8 9

RECOMMENDED PANEL CUTOUT(REFERENCE ONLY):



UNIT: MM / INCH
 TOLERANCES: ± 0.10 / 0.004
 REFERENCE ONLY

KEEP-OUT AREA(COMPONENT SIDE VIEW):



PLUG-IN SIDE

UNIT: MM / INCH
 TOLERANCES: ± 0.10 / 0.004



REV. 02 UNIT. mm SCALE. 1:1

3RD.ANG PROJ.
 3RD.ANG PROJ.
 PAGE. 2/4

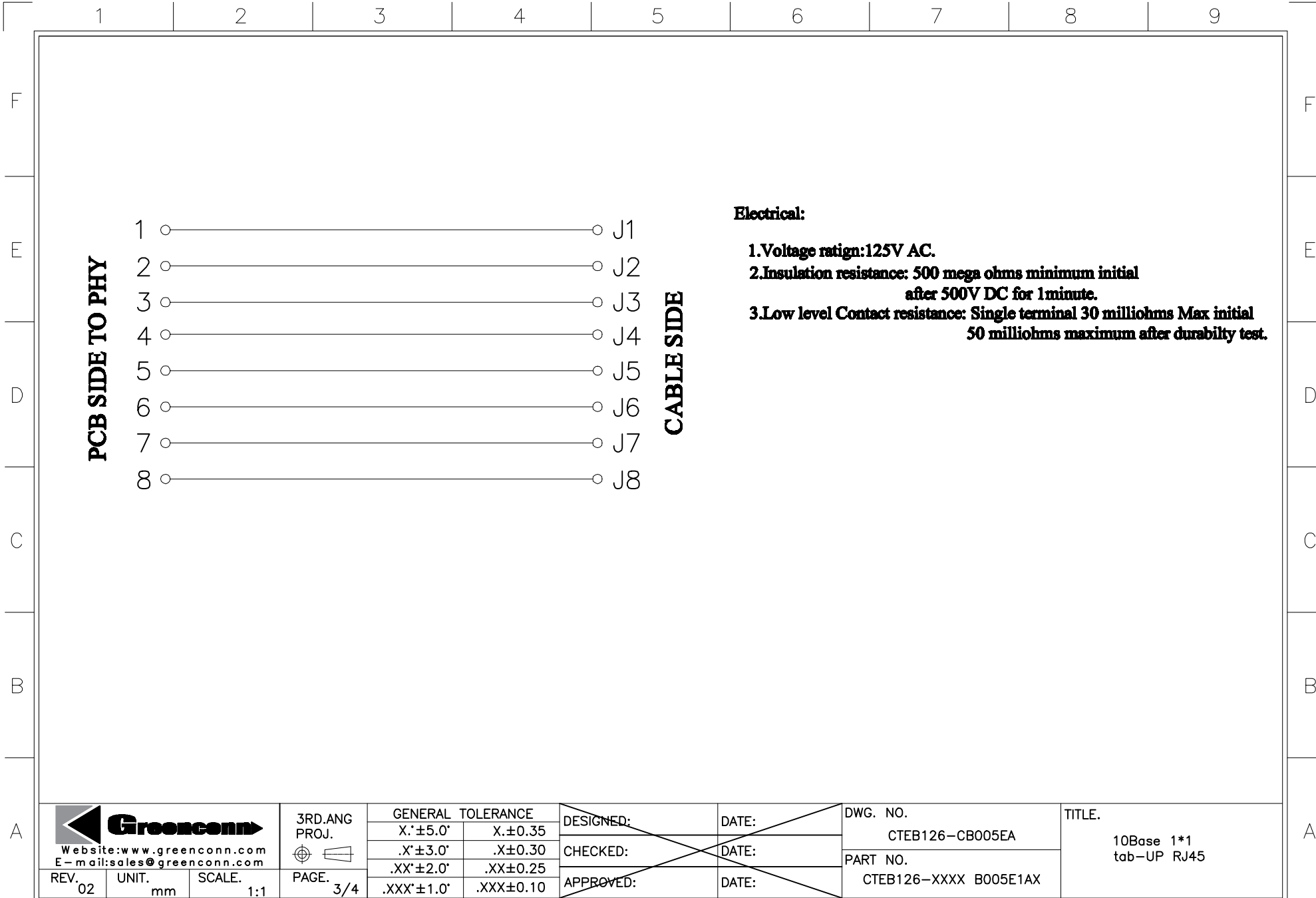
GENERAL TOLERANCE	
X. $\pm 5.0'$	X. ± 0.35
.X' $\pm 3.0'$.X ± 0.30
.XX' $\pm 2.0'$.XX ± 0.25
.XXX' $\pm 1.0'$.XXX ± 0.10

DESIGNED:
 CHECKED:
 APPROVED:

DATE:
 DATE:
 DATE:

DWG. NO.
 CTEB126-CB005EA
 PART NO.
 CTEB126-XXXX B005E1AX

TITLE.
 10Base 1*1
 tab-UP RJ45



PCB SIDE TO PHY



CABLE SIDE

Electrical:

- 1. Voltage rating: 125V AC.**
- 2. Insulation resistance: 500 mega ohms minimum initial after 500V DC for 1 minute.**
- 3. Low level Contact resistance: Single terminal 30 milliohms Max initial 50 milliohms maximum after durability test.**



3RD.ANG
PROJ.
PAGE. 3/4

GENERAL TOLERANCE	
X. ±5.0'	X. ±0.35
.X ±3.0'	.X ±0.30
.XX ±2.0'	.XX ±0.25
.XXX ±1.0'	.XXX ±0.10

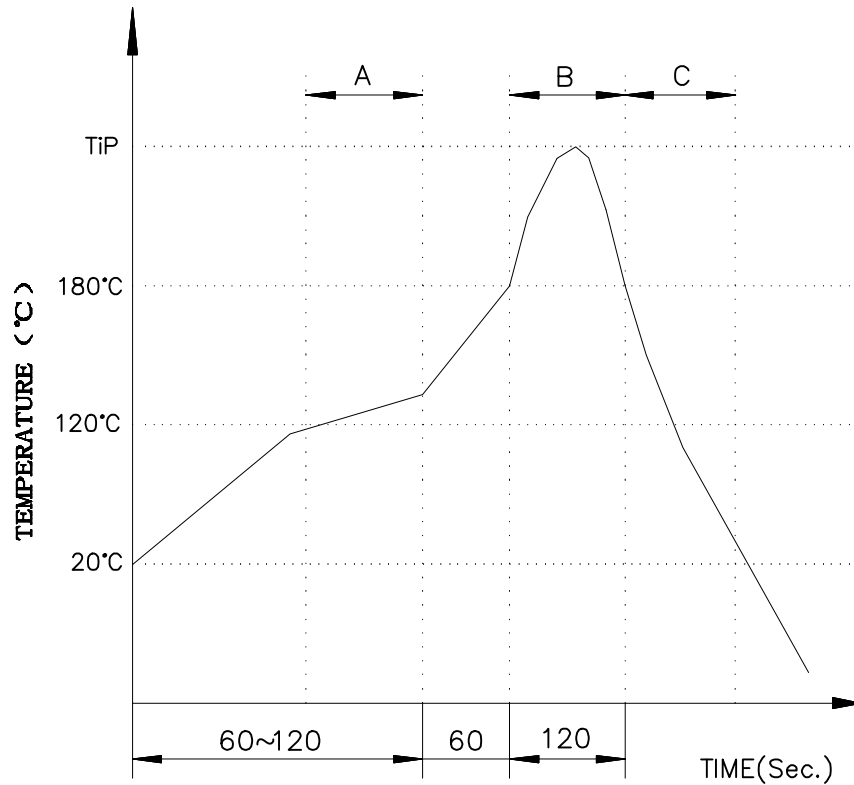
DESIGNED:
CHECKED:
APPROVED:

DATE:
DATE:
DATE:

DWG. NO.
CTEB126-CB005EA
PART NO.
CTEB126-XXXX B005E1AX

TITLE.
10Base 1*1
tab-UP RJ45

PROFILE OF WAVE SOLDER

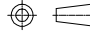


A.Preheating B.Soldering C.Gradual Cooling
Tip temperature:260±5°C.
Tip temperature time:5Sec Max.
Tip melting point of Sn96.5/Ag3/Cu0.5:217°C.

Remarks: after wave soldering, the plastic positioning columns of the product which under the PCB will be slightly melted, but it won't affect its function.



REV. 02 UNIT. mm SCALE. 1:1

3RD.ANG PROJ.

 PAGE. 4/4

GENERAL TOLERANCE	
X.±5.0'	X.±0.35
.X'±3.0'	.X±0.30
.XX'±2.0'	.XX±0.25
.XXX'±1.0'	.XXX±0.10

DESIGNED:
 CHECKED:
 APPROVED:

DATE:
 DATE:
 DATE:

DWG. NO.
 CTEB126-CB005EA
 PART NO.
 CTEB126-XXXX B005E1AX

TITLE.
 10Base 1*1
 tab-UP RJ45