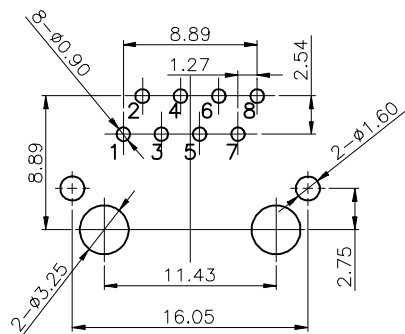
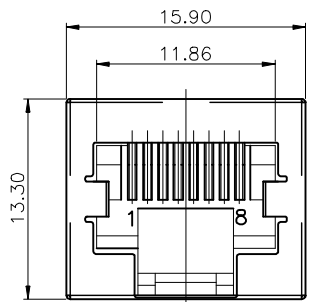


1 2 3 4 5 6 7 8 9

F



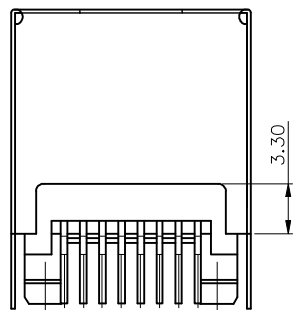
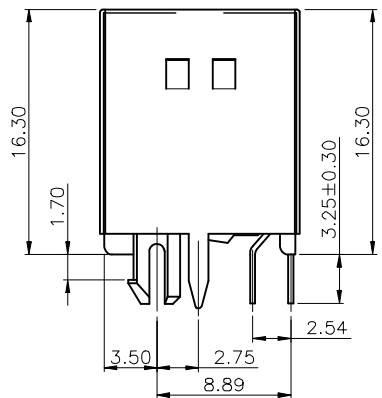
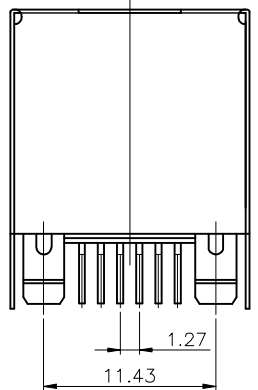
PCB LAYOUT/TOP VIEW

Mechanical:
 Durability: 750 Cycles Min
 Mating/Unmating Force: 30N Max.
 Retention Strength : 50N Min For 60S±5S
 Operating Temperature: -40°C~+85°C.
 Storage Temperature: -40°C~+85°C

Electrical:
 Voltage: 125 VAC rms.
 Current Rating : 1.5Amp.
 Contact Resistance: 30mΩ Max
 Insulation Resistance: 500MQMin. AT 500V DC
 Dielectric Strength: 1000 VAC 50Hz 1Minute
 Material:
 Housing: PBT, UL94V-0, Black
 Terminal: Phosphor Bronze T=0.35MM
 Shield: Brass, T=0.20MM
 All materials must meet GREENCONN hazardous substances control standards.

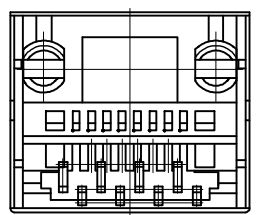
E

D



C

B



Ordering Information

CTEA116 - XX XX B 006 A X A X

No. of Pins per Row 08 Standard Plating 53=Gold 6u"/Tin 05=Gold Flash/Tin Color 1=Black Standard Packing B=Tray

A



REV. 01 UNIT. mm SCALE. 1:1

3RD.ANG PROJ.

 PAGE. 1/1

| GENERAL TOLERANCE | |
|-------------------|------------|
| X' ±5.0' | X ±0.35 |
| .X' ±3.0' | .X ±0.25 |
| .XX' ±2.0' | .XX ±0.15 |
| .XXX' ±1.0' | .XXX ±0.10 |

DESIGNED:
 CHECKED:
 APPROVED:

DATE:
 DATE:
 DATE:

DWG. NO.
 CTEA116-CB006AA
 PART NO.
 CTEA116-XXXXB006A1AX

TITLE.
 RJ45 Vertical 1*1 Port

1 2 3 4 5 6 7 8 9